

Assembly Fixture for Arms and Front Legs
of The Oxford Adirondack Chair

**Copyright 2024
Oxford Woodworking**

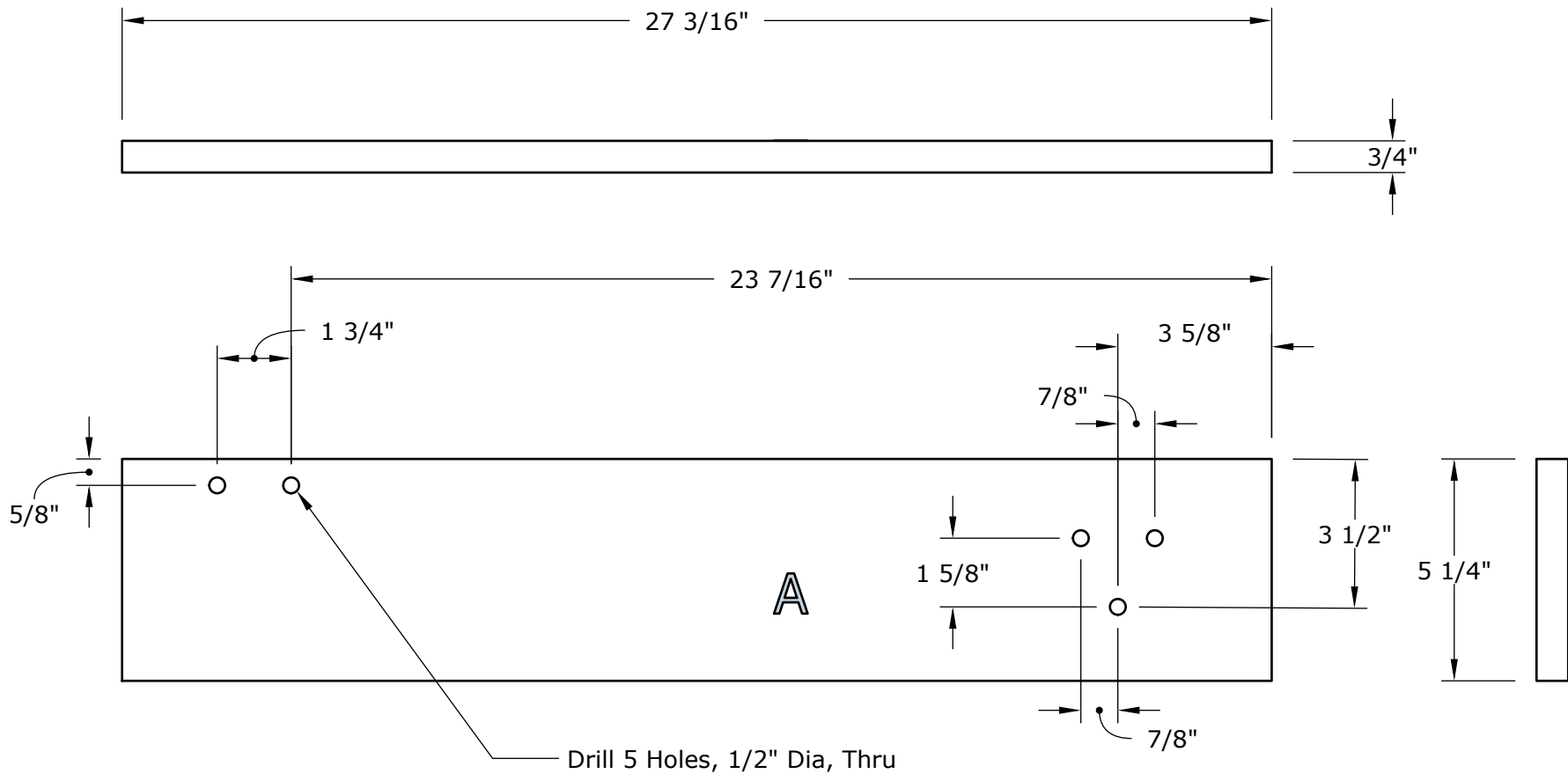
Part Name:
Assembly Fixture
Number:

Drawn: May-13-2024

Edited: May-13-2024

Version:

MLG



Assembly Fixture for Arms and Front Legs
of The Oxford Adirondack Chair

Copyright 2024
Oxford Woodworking

Part Name:
Component A
Number:

Drawn: May-13-2024

Edited: May-13-2024

Version:

MLG



3/4"

6"



2 1/4"

Assembly Fixture for Arms and Front Legs
of The Oxford Adirondack Chair

**Copyright 2024
Oxford Woodworking**

Part Name:

Component B

Number:

Drawn:

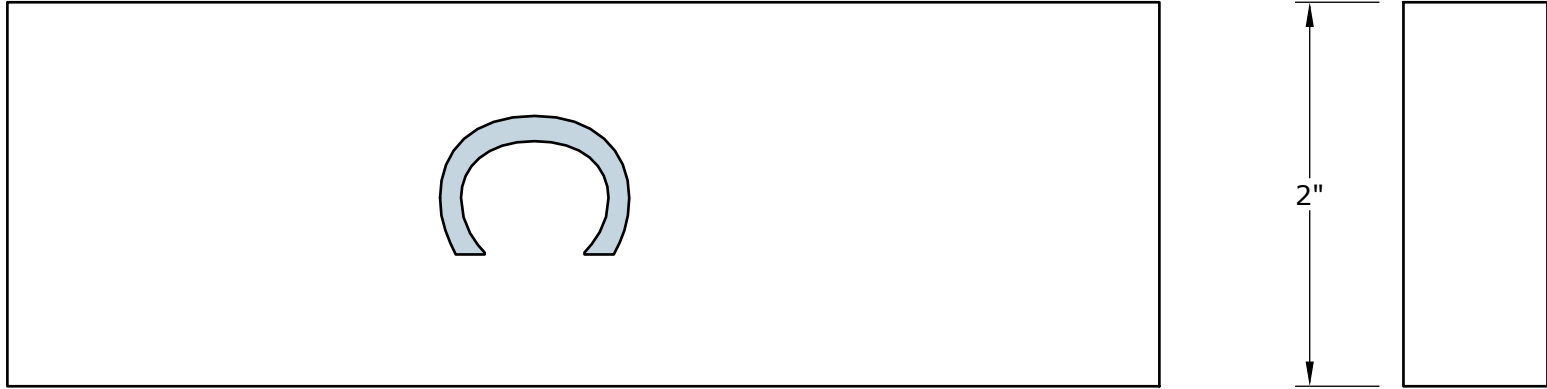
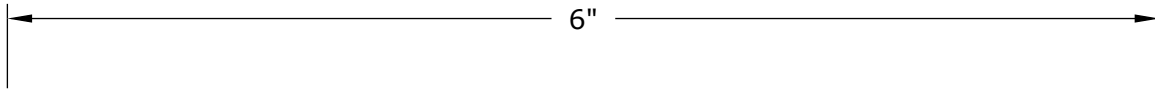
May-13-2024

Edited:

May-13-2024

Version:

MLG



Assembly Fixture for Arms and Front Legs
of The Oxford Adirondack Chair

**Copyright 2024
Oxford Woodworking**

Part Name:

Component C

Number:

Drawn:

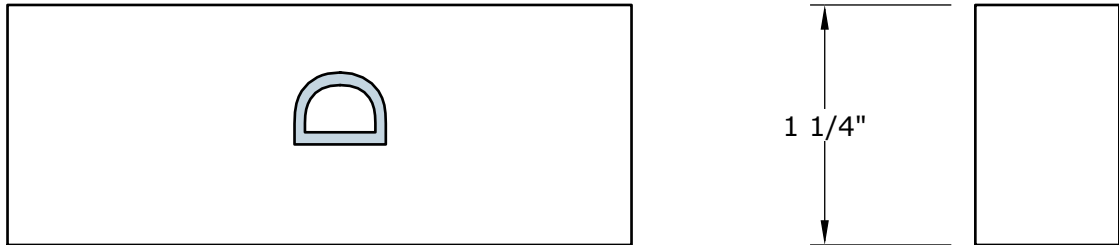
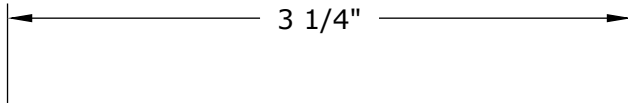
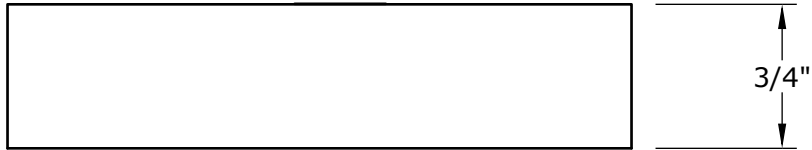
May-13-2024

MLG

Edited:

May-13-2024

Version:



Assembly Fixture for Arms and Front Legs
of The Oxford Adirondack Chair

**Copyright 2024
Oxford Woodworking**

Part Name:

Component D

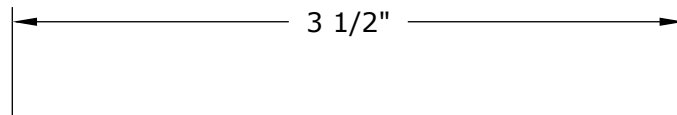
Number:

Drawn: May-13-2024

Edited: May-13-2024

Version:

MLG



Assembly Fixture for Arms and Front Legs
of The Oxford Adirondack Chair

**Copyright 2024
Oxford Woodworking**

Part Name:

Component E

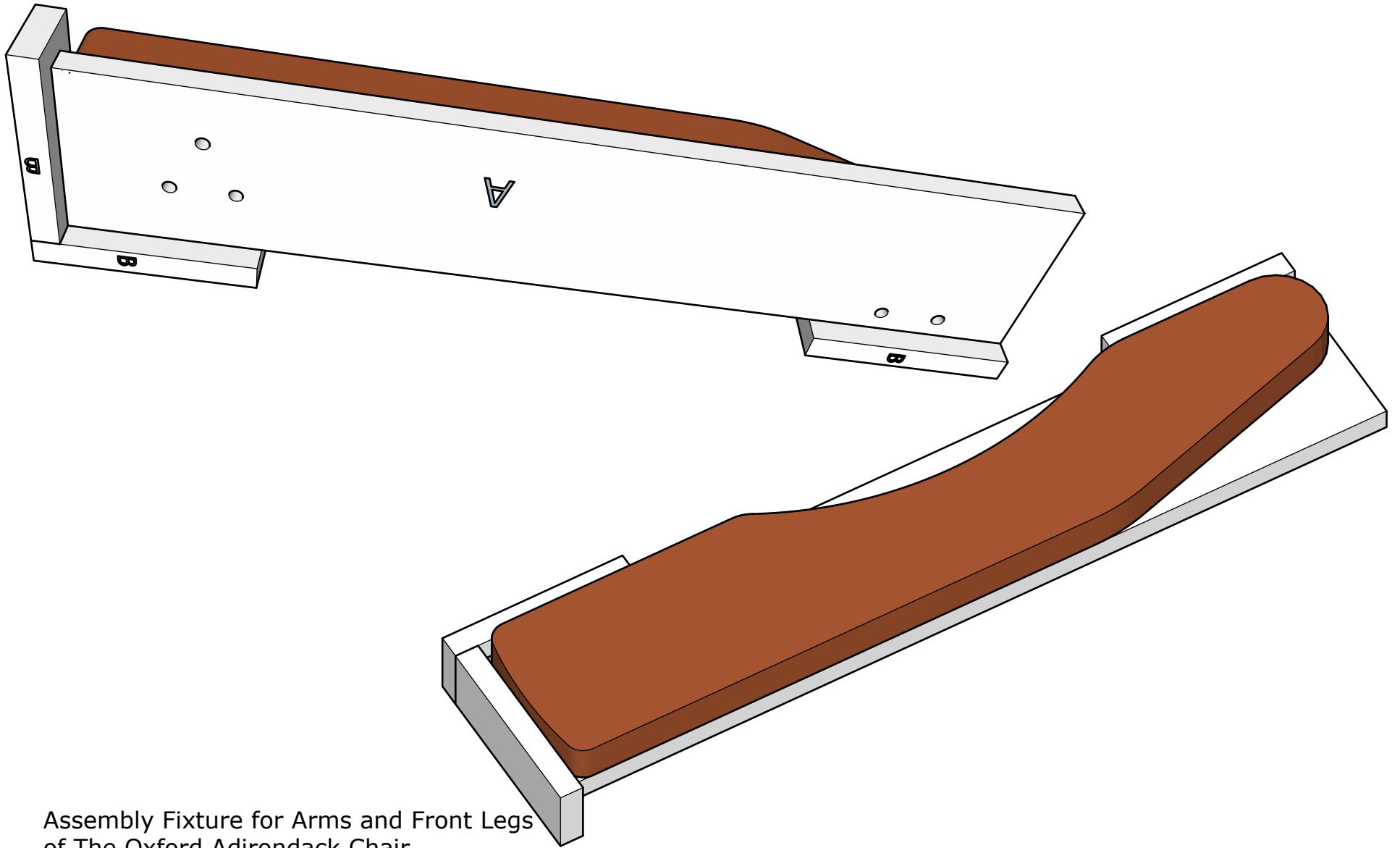
Number:

Drawn: May-13-2024

Edited: May-13-2024

Version:

MLG



Assembly Fixture for Arms and Front Legs
of The Oxford Adirondack Chair

**Copyright 2024
Oxford Woodworking**

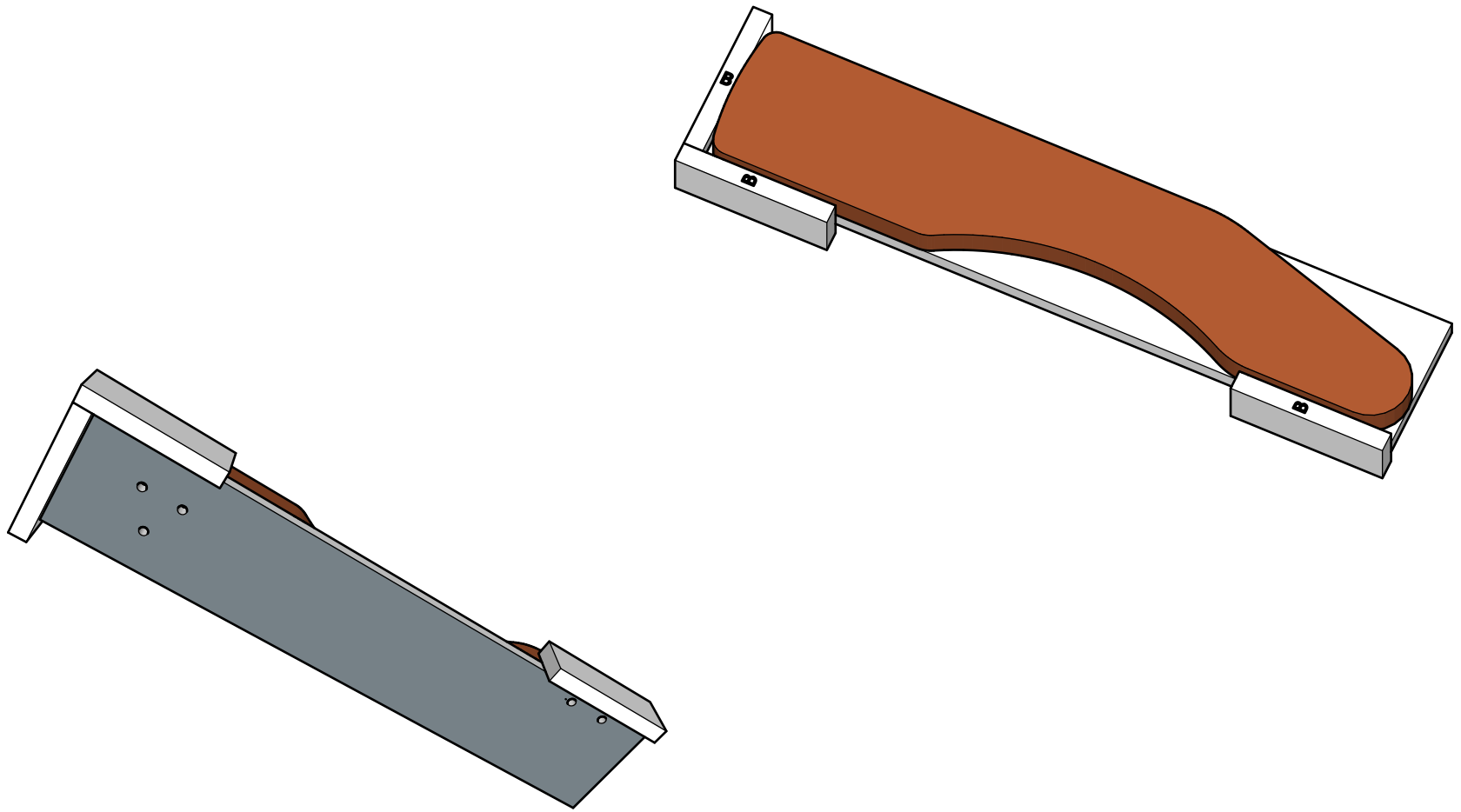
Part Name:
Left Arm Drilling
Number:

Drawn: May-13-2024

Edited: May-13-2024

Version:

MLG



Assembly Fixture for Arms and Front Legs
of The Oxford Adirondack Chair

**Copyright 2024
Oxford Woodworking**

Part Name:

Right Arm Drilling

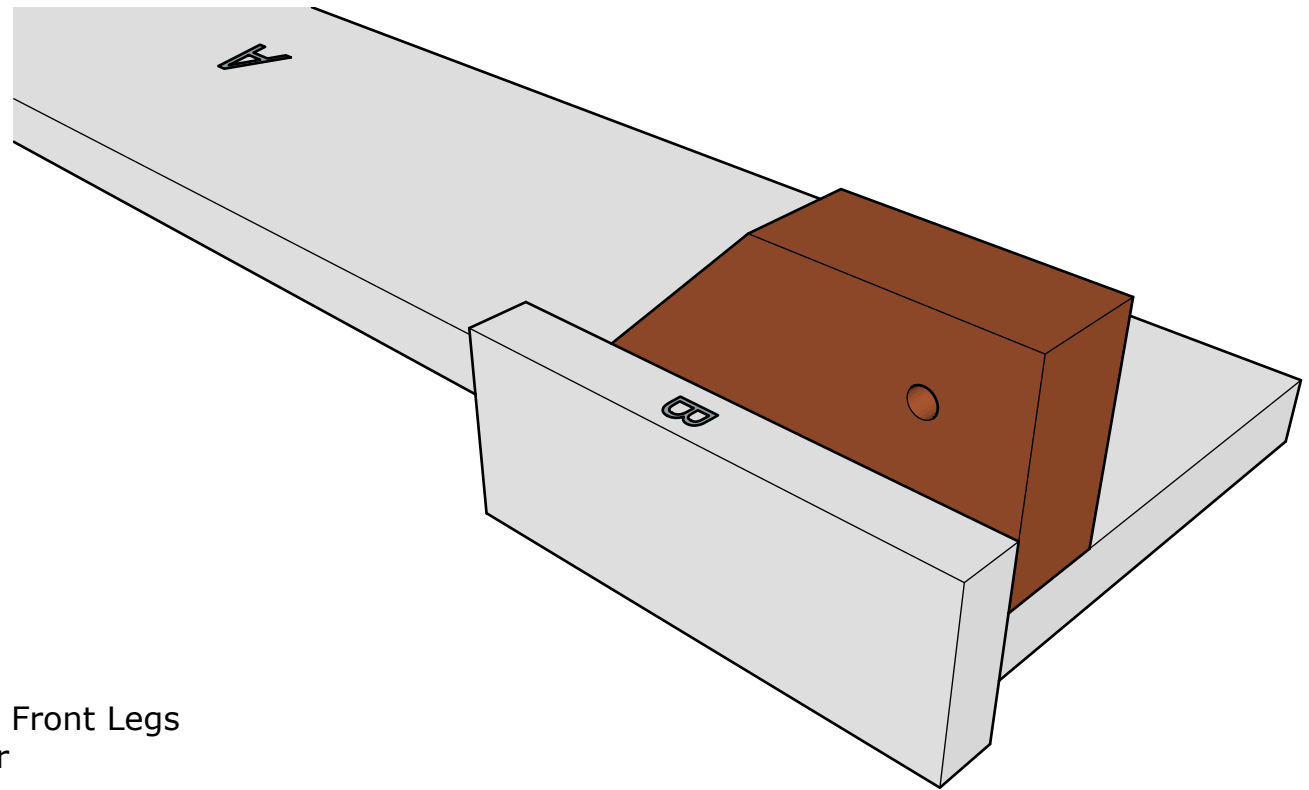
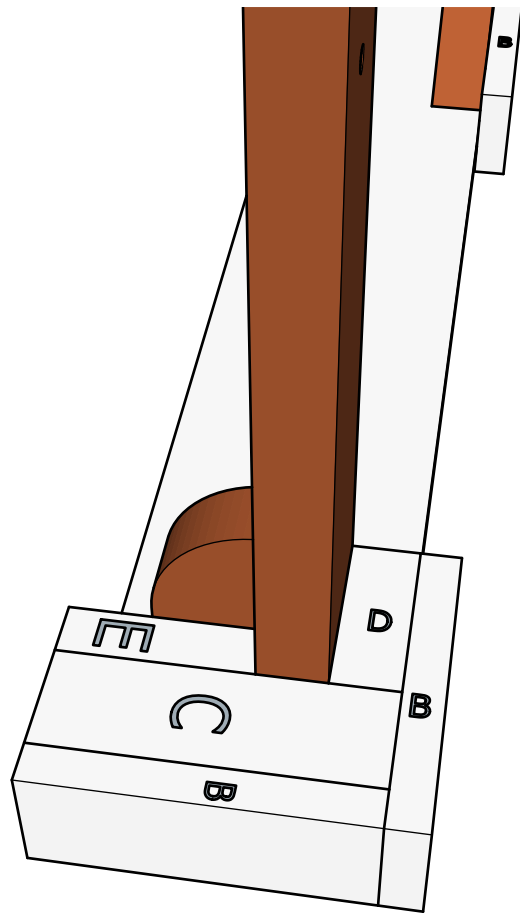
Number:

Drawn: May-13-2024

Edited: May-13-2024

Version:

MLG



Assembly Fixture for Arms and Front Legs
of The Oxford Adirondack Chair

**Copyright 2024
Oxford Woodworking**

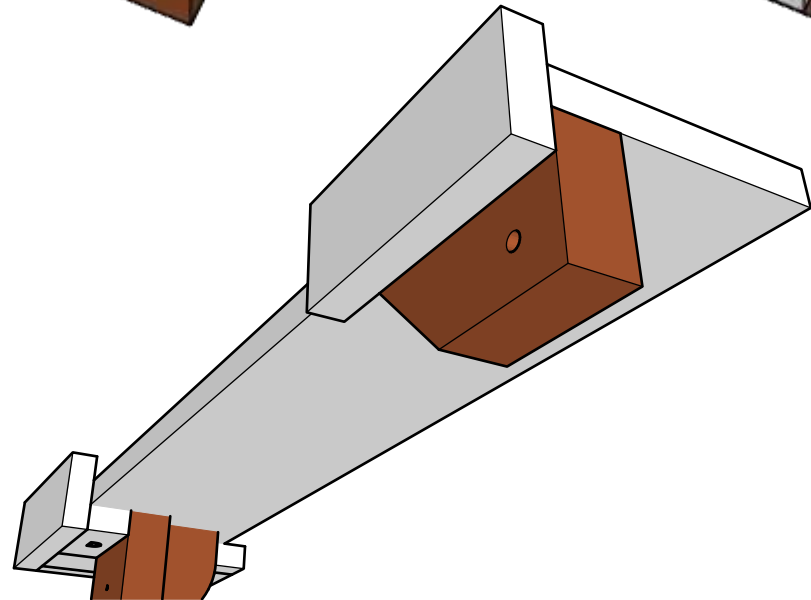
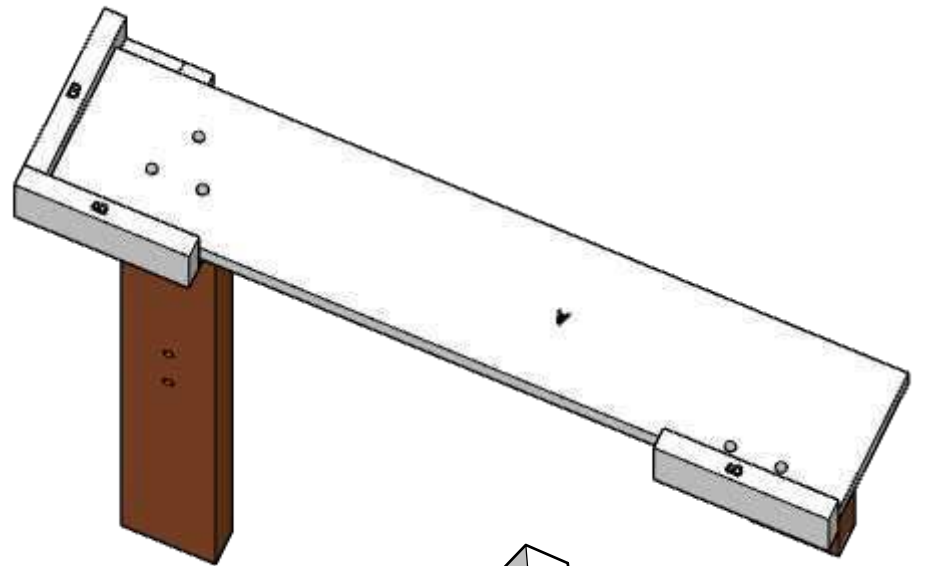
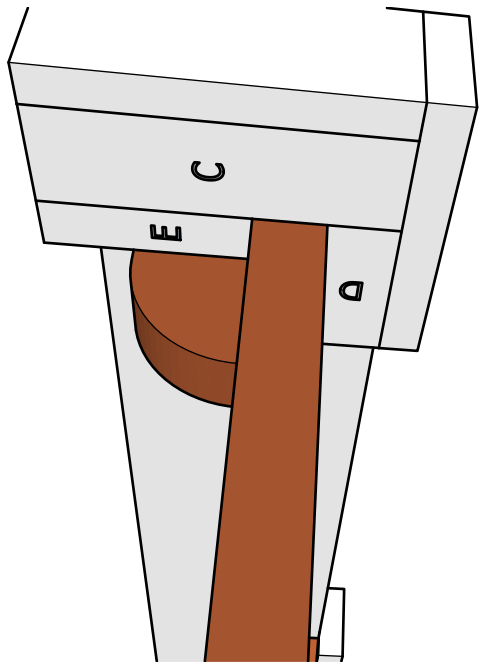
Part Name:
Left Front Leg and Supports
Number:

Drawn: May-13-2024

Edited: May-13-2024

Version:

MLG



Assembly Fixture for Arms and Front Legs
of The Oxford Adirondack Chair

**Copyright 2024
Oxford Woodworking**

Part Name:

Right Front Leg and Supports

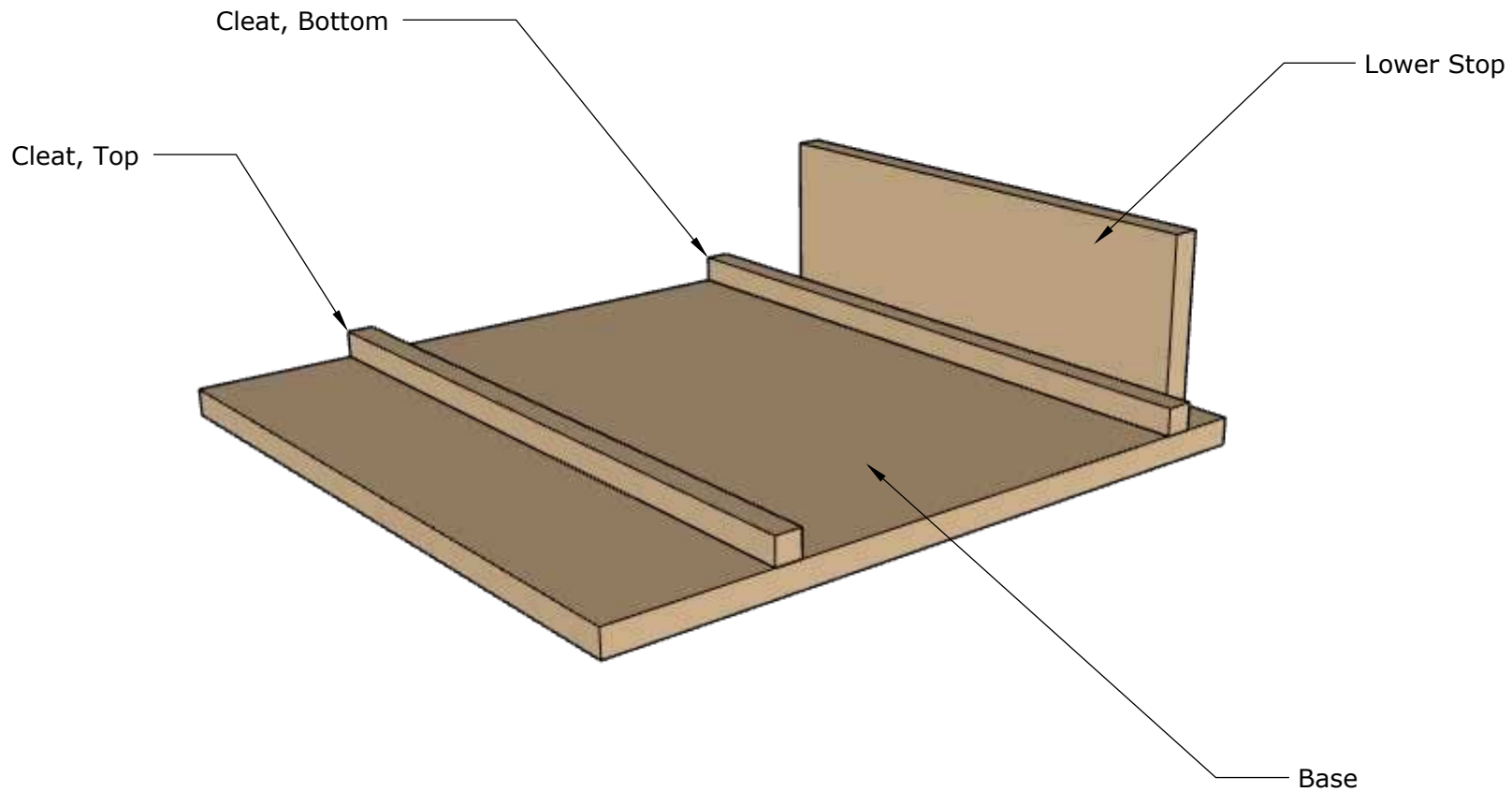
Number:

Drawn: May-13-2024

Edited: May-13-2024

Version:

MLG



Assembly Fixture for Seat Back
of The Oxford Adirondack Chair

**Copyright 2024
Oxford Woodworking**

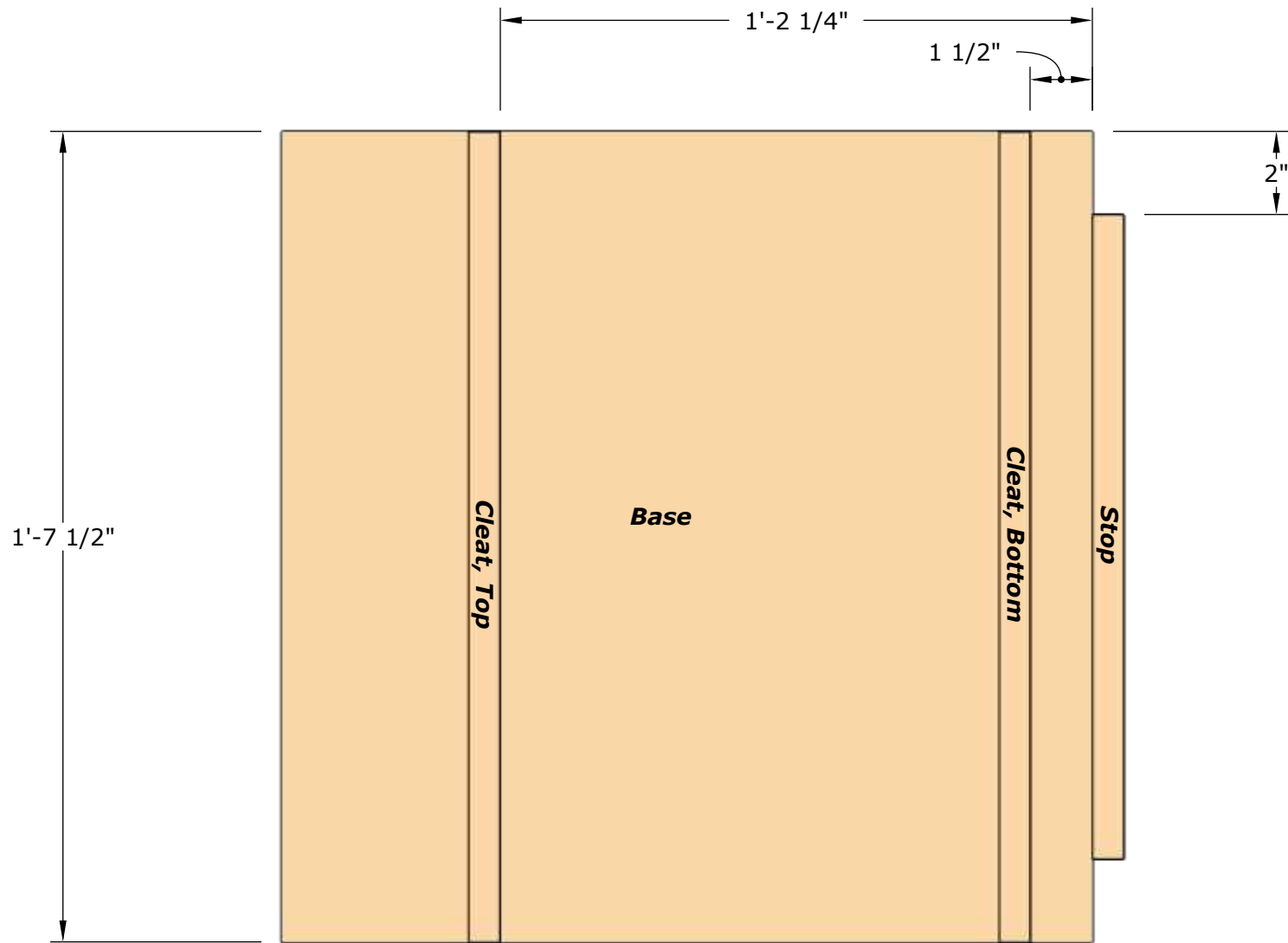
Part Name:
Assembly Fixture, Back
Number:

Drawn: Jun-08-2024

MLG

Edited: Jun-08-2024

Version:



Assembly Fixture for Seat Back
of The Oxford Adirondack Chair

**Copyright 2024
Oxford Woodworking**

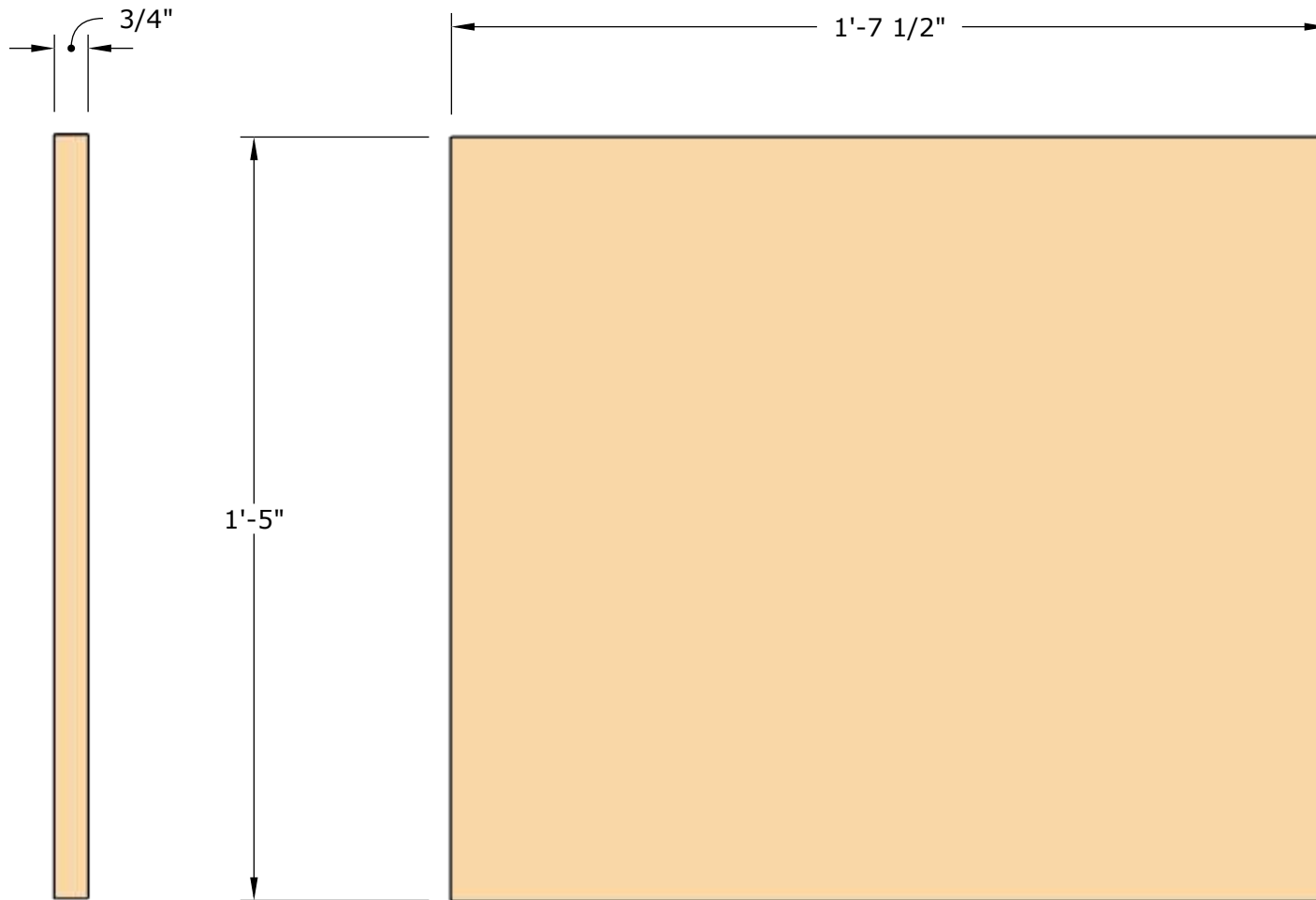
Part Name:
Assembly Fixture Dimensions
Number:

Drawn: Jun-08-2024

Edited: Jun-08-2024

Version:

MLG



Assembly Fixture for Seat Back
of The Oxford Adirondack Chair

**Copyright 2024
Oxford Woodworking**

Part Name:

Base

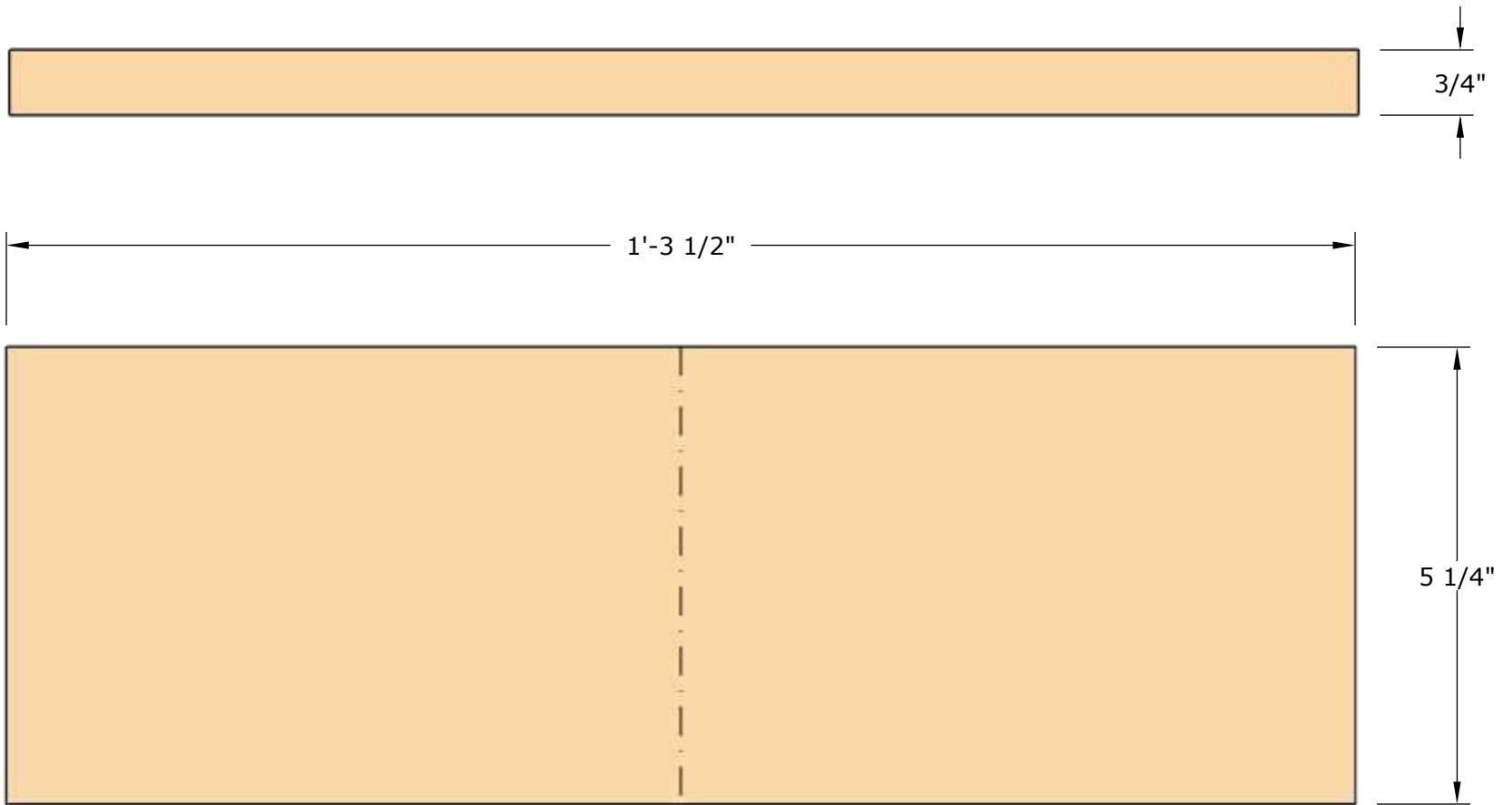
Number:

Drawn: Jun-08-2024

Edited: Jun-08-2024

Version:

MLG



Assembly Fixture for Seat Back
of The Oxford Adirondack Chair

**Copyright 2024
Oxford Woodworking**

Part Name:

Stop

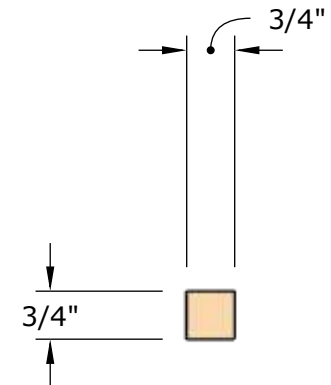
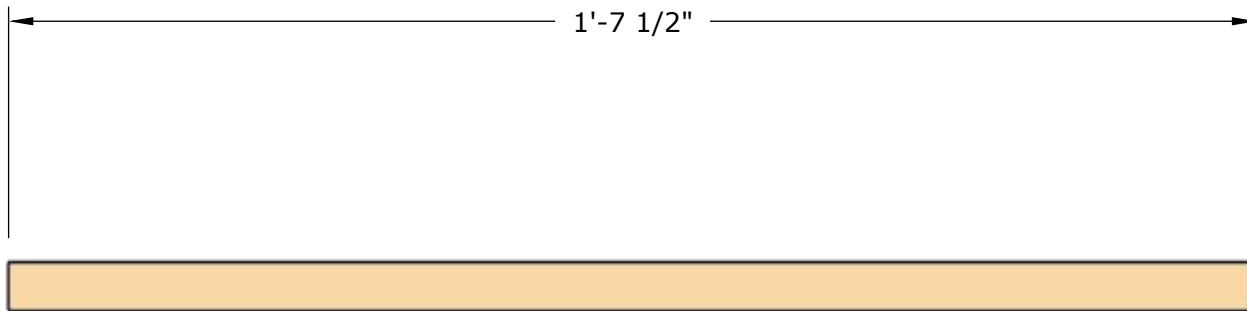
Number:

Drawn: Jun-08-2024

Edited: Jun-08-2024

Version:

MLG



Assembly Fixture for Seat Back
of The Oxford Adirondack Chair

**Copyright 2024
Oxford Woodworking**

Part Name:

Cleat

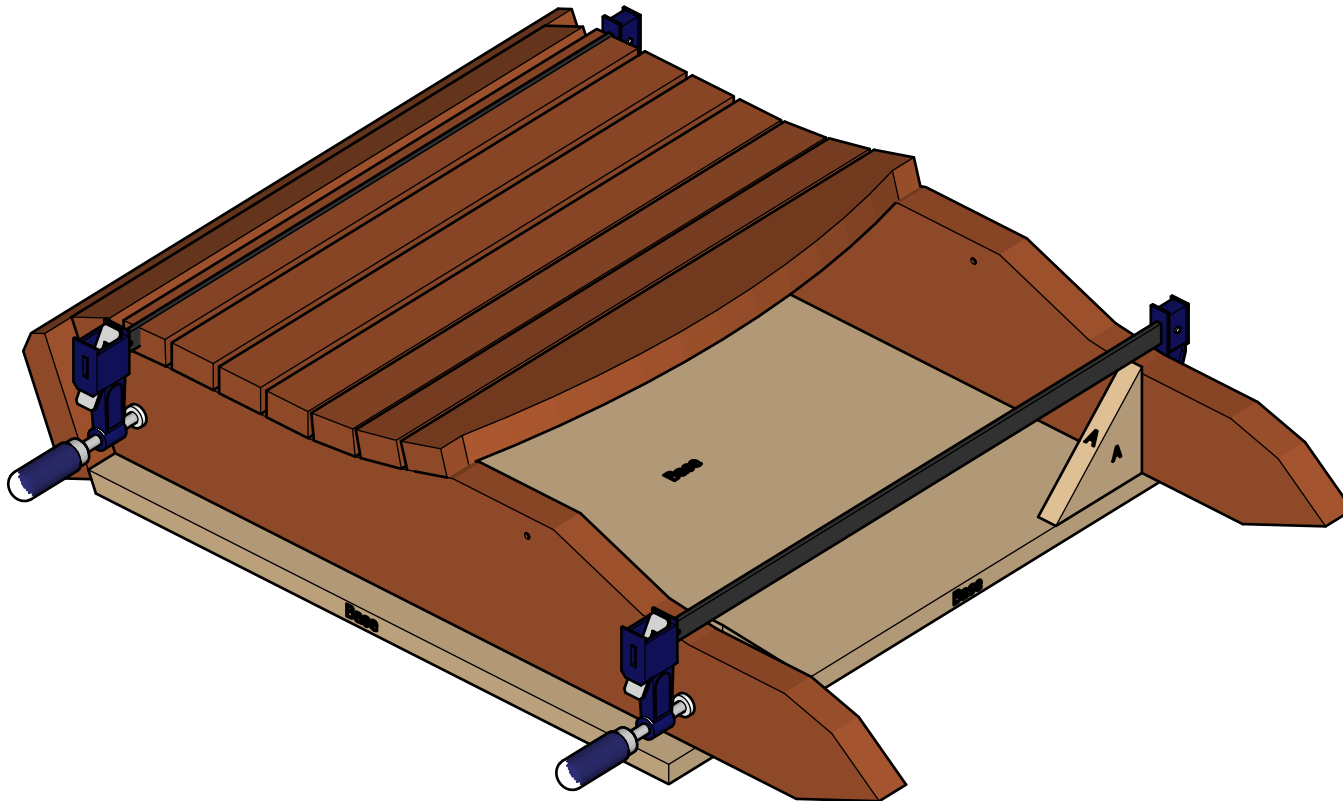
Number:

Drawn: Jun-08-2024

Edited: Jun-08-2024

Version:

MLG



**Seat Assembly Fixture for
The Oxford Adirondack Chair**

**Copyright 2024
Oxford Woodworking**

Part Name:

Fixture, Seat Assembly

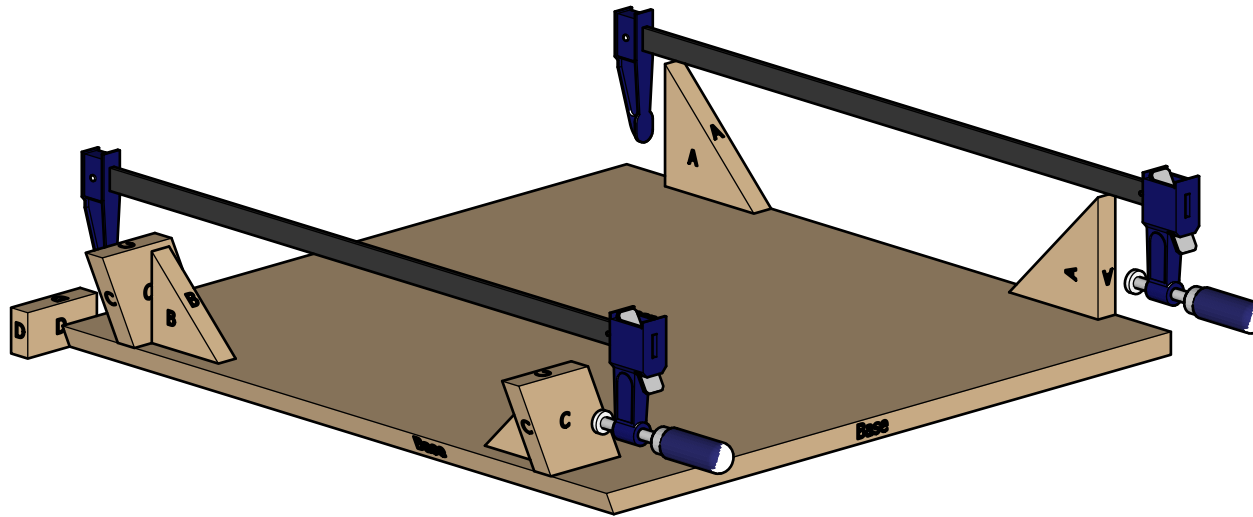
Number:

Drawn: Mar-10-2024

Edited: Mar-10-2024

Version:

MLG



**Seat Assembly Fixture for
The Oxford Adirondack Chair**

**Copyright 2024
Oxford Woodworking**

Part Name:

Fixture, Seat Assembly

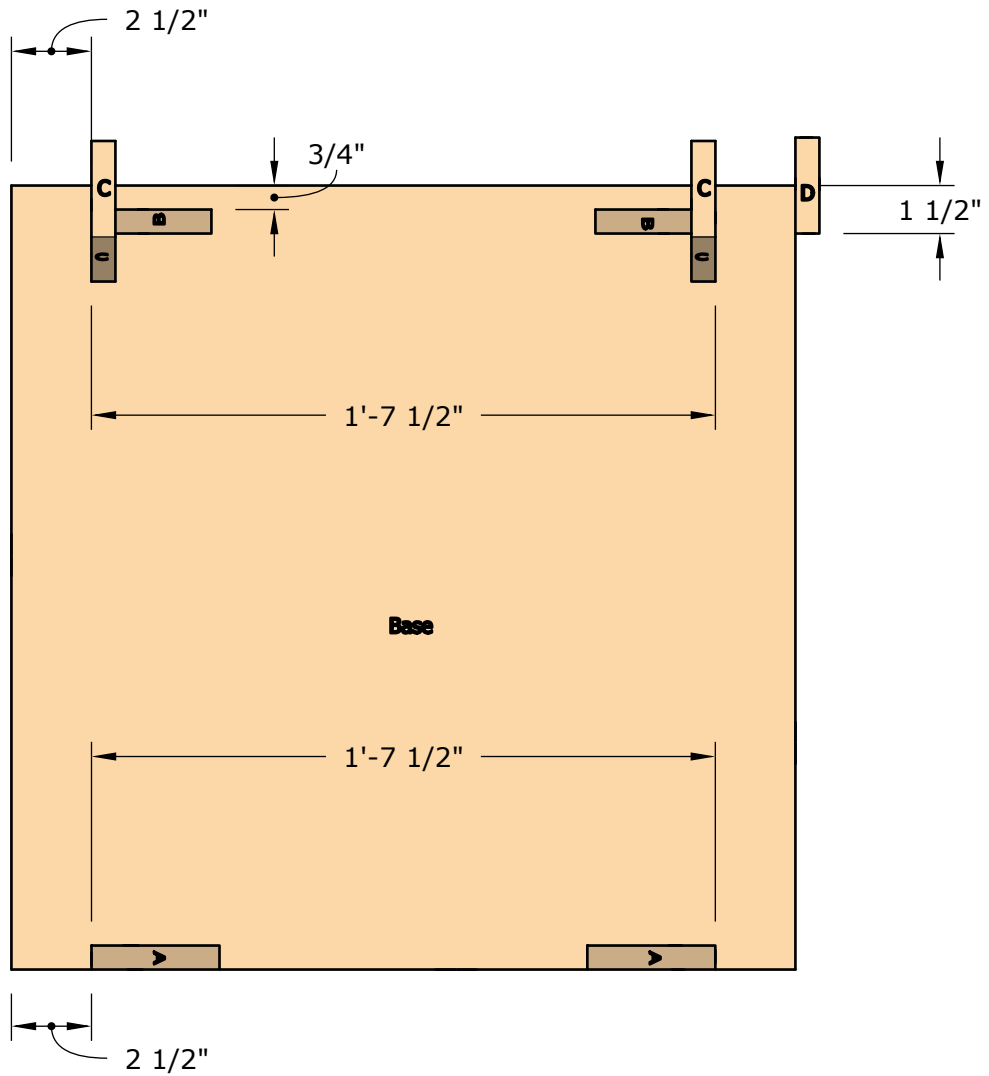
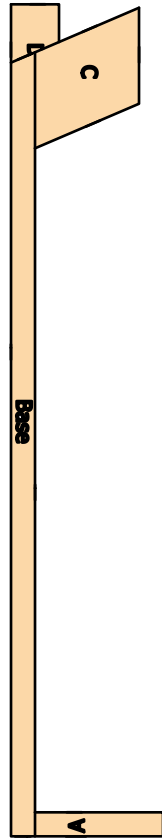
Number:

Drawn: Mar-10-2024

Edited: Mar-10-2024

Version:

MLG



**Seat Assembly Fixture for
The Oxford Adirondack Chair**

**Copyright 2024
Oxford Woodworking**

Part Name:

Fixture, Seat Assembly

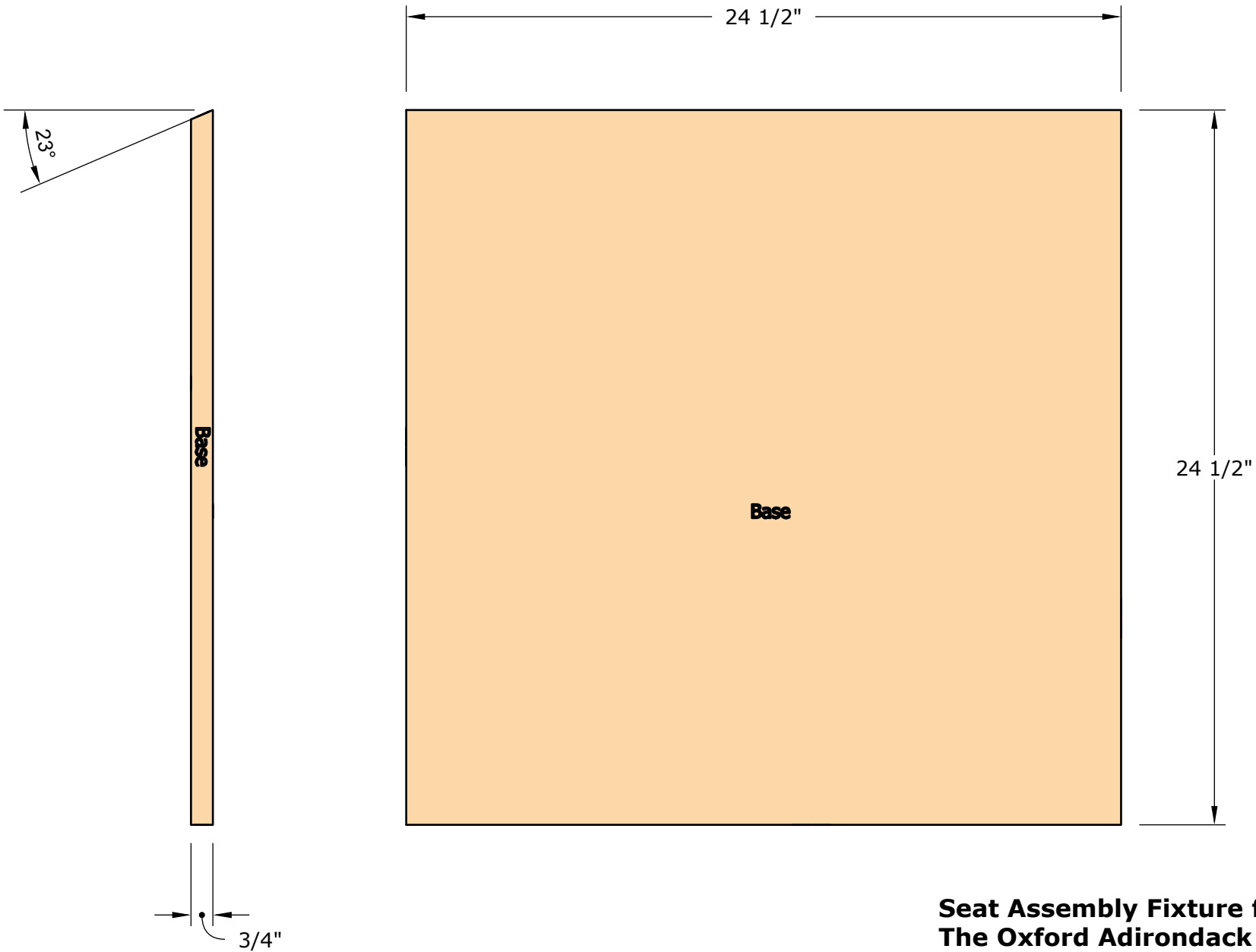
Number:

Drawn: Mar-10-2024

Edited: Mar-10-2024

Version:

MLG

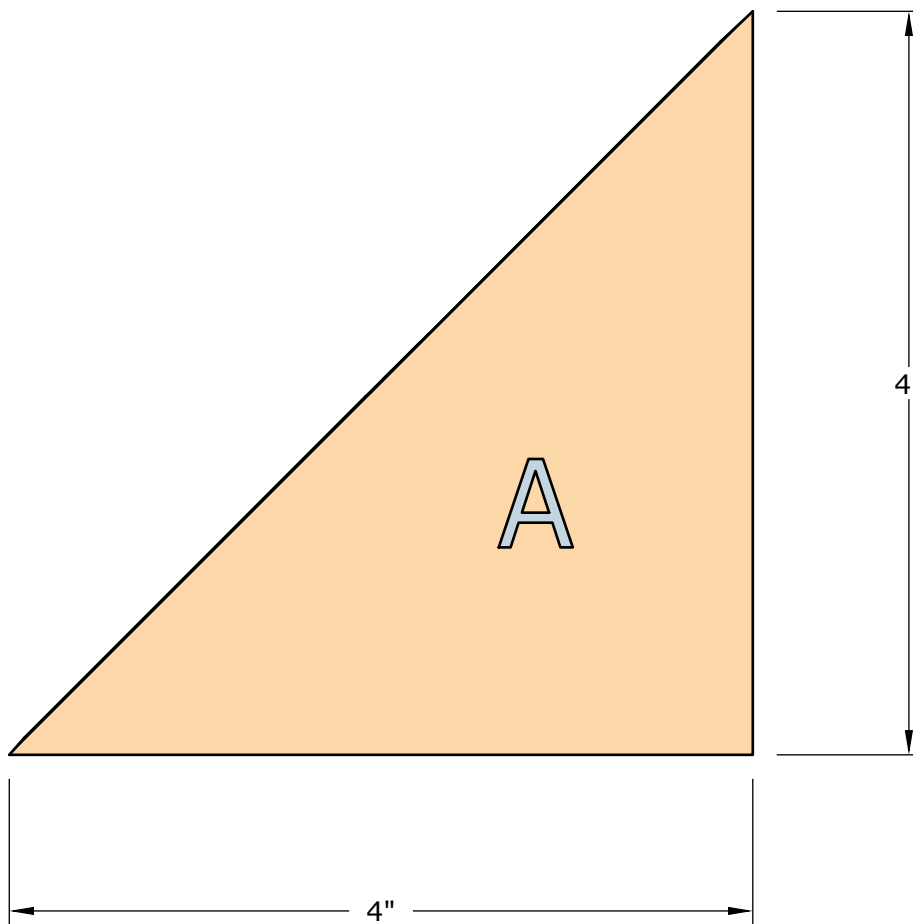


**Seat Assembly Fixture for
The Oxford Adirondack Chair**

**Copyright 2024
Oxford Woodworking**

| | | |
|---------------------------|---------------------|-----|
| Part Name: Base | Drawn: Mar-10-2024 | MLG |
| | Edited: Mar-10-2024 | |
| Number: | Version: | |

**Material:
3/4" Thick MDF**



**Seat Assembly Fixture for
The Oxford Adirondack Chair**

**Copyright 2024
Oxford Woodworking**

Part Name:

Component A

Number:

Drawn:

Mar-10-2024

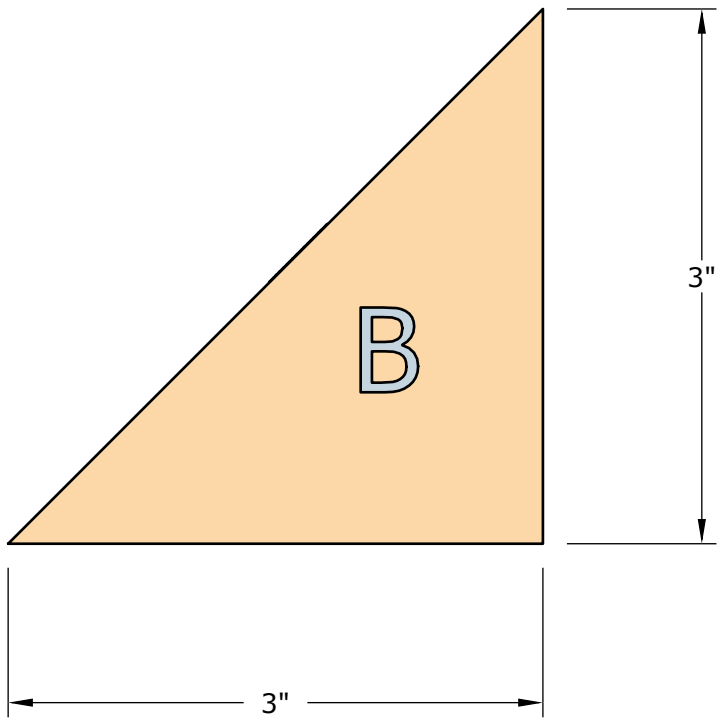
Edited:

Mar-10-2024

Version:

MLG

**Material:
3/4" Thick MDF**

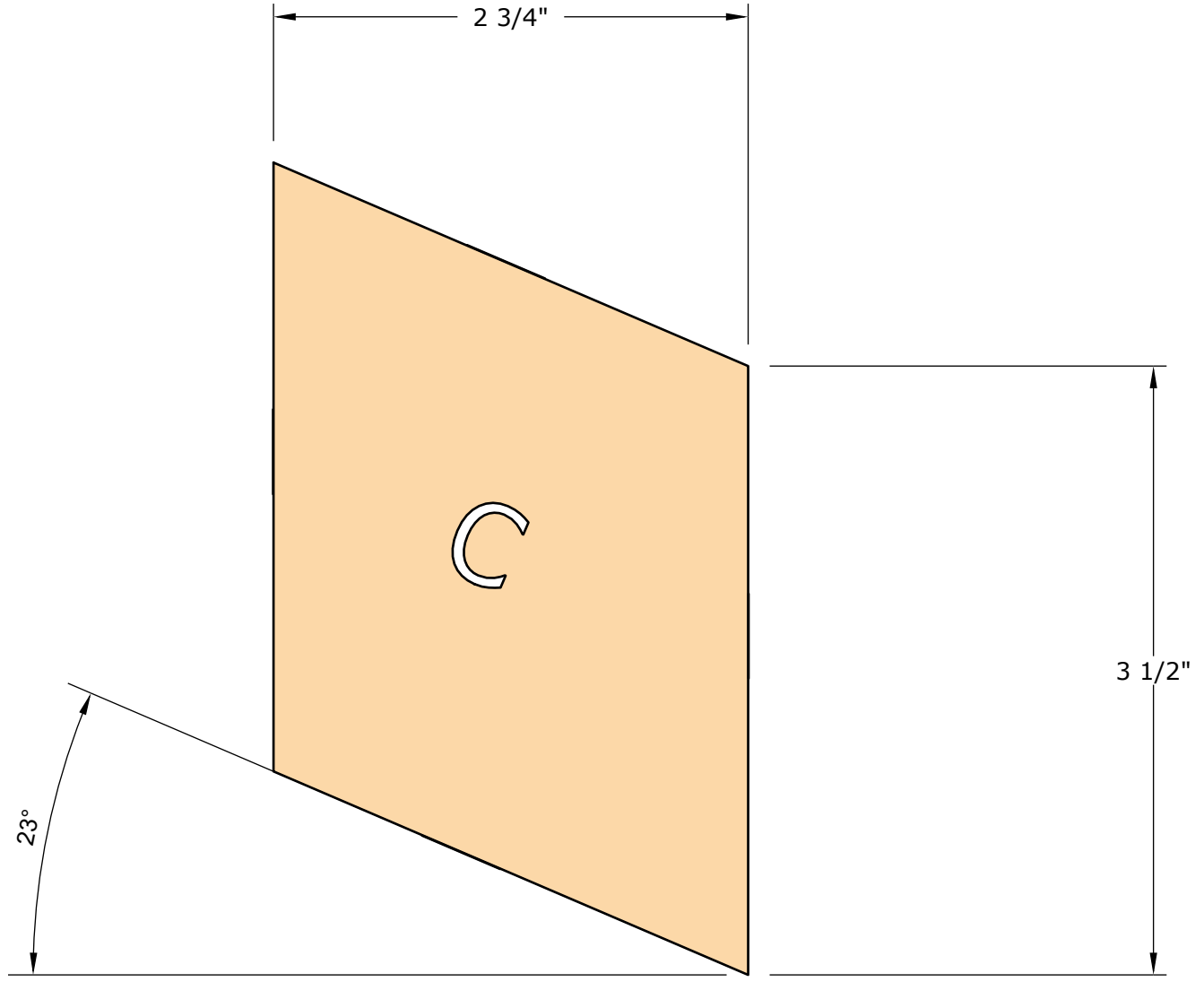


**Seat Assembly Fixture for
The Oxford Adirondack Chair**

**Copyright 2024
Oxford Woodworking**

| | | |
|----------------------------------|---------------------|----------|
| Part Name: Component B | Drawn: Mar-10-2024 | MLG |
| | Edited: Mar-10-2024 | |
| | Number: | Version: |

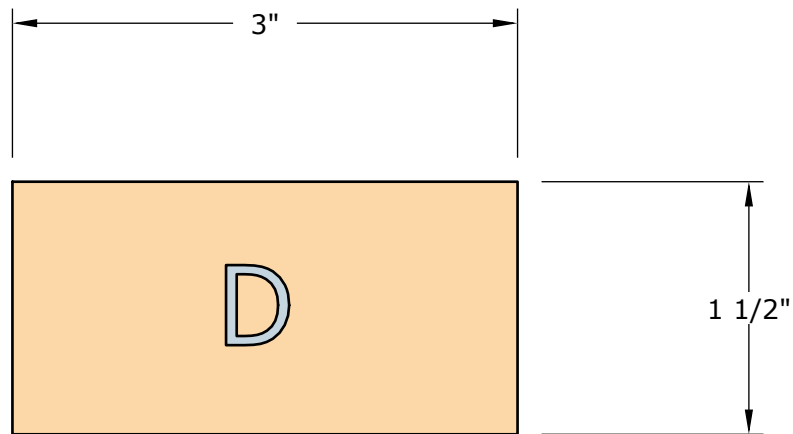
**Material:
3/4" Thick MDF**



**Seat Assembly Fixture for
The Oxford Adirondack Chair**

**Copyright 2024
Oxford Woodworking**

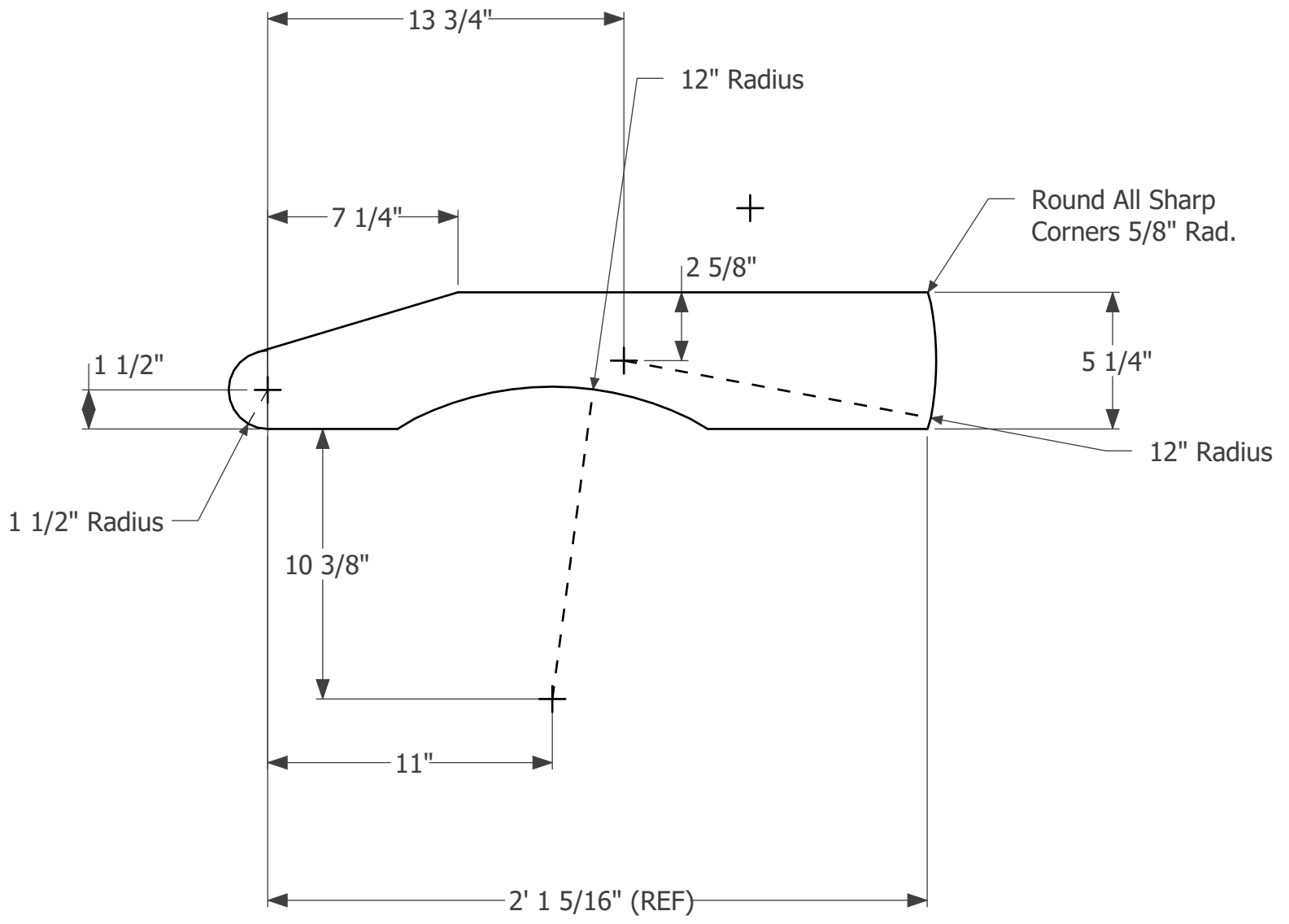
| | | | |
|-------------|----------|-------------|-----|
| Part Name: | Drawn: | Mar-10-2024 | MLG |
| Component C | Edited: | Mar-10-2024 | |
| Number: | Version: | | |



Material:
3/4" Thick MDF

**Seat Assembly Fixture for
The Oxford Adirondack Chair**

| | | | | |
|---|--------------------|----------|-------------|-----|
| Copyright 2024 Oxford Woodworking | Part Name: | Drawn: | Mar-10-2024 | MLG |
| | Component D | Edited: | Mar-10-2024 | |
| | Number: | Version: | | |



Copyright 2024
Oxford Woodworking

Part Name:
Arm Rest Pattern

Number:

Drawn: Apr-03-2024

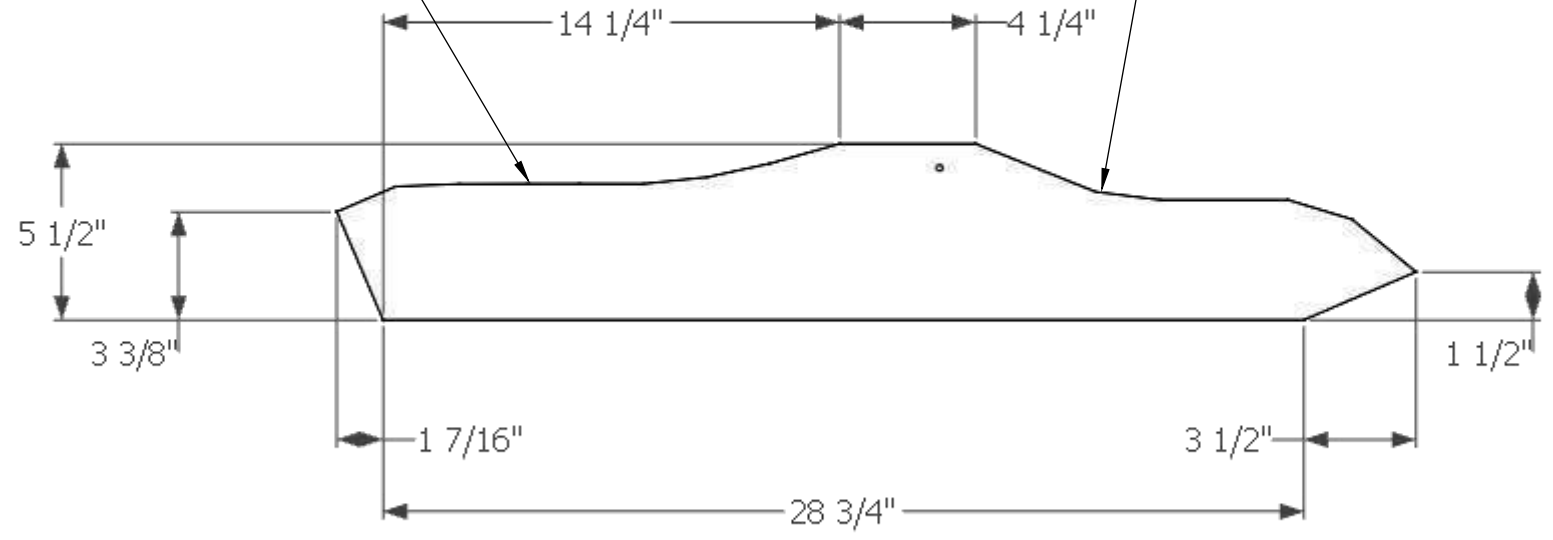
Edited: Apr-03-2024

Version:

MLG

See For Spline Detail
"Leg, Lower Spline Front"

See For Spline Detail
"Leg, Lower Spline Rear"



**Copyright 2024
Oxford Woodworking**

Part Name:
Leg, Lower Pattern

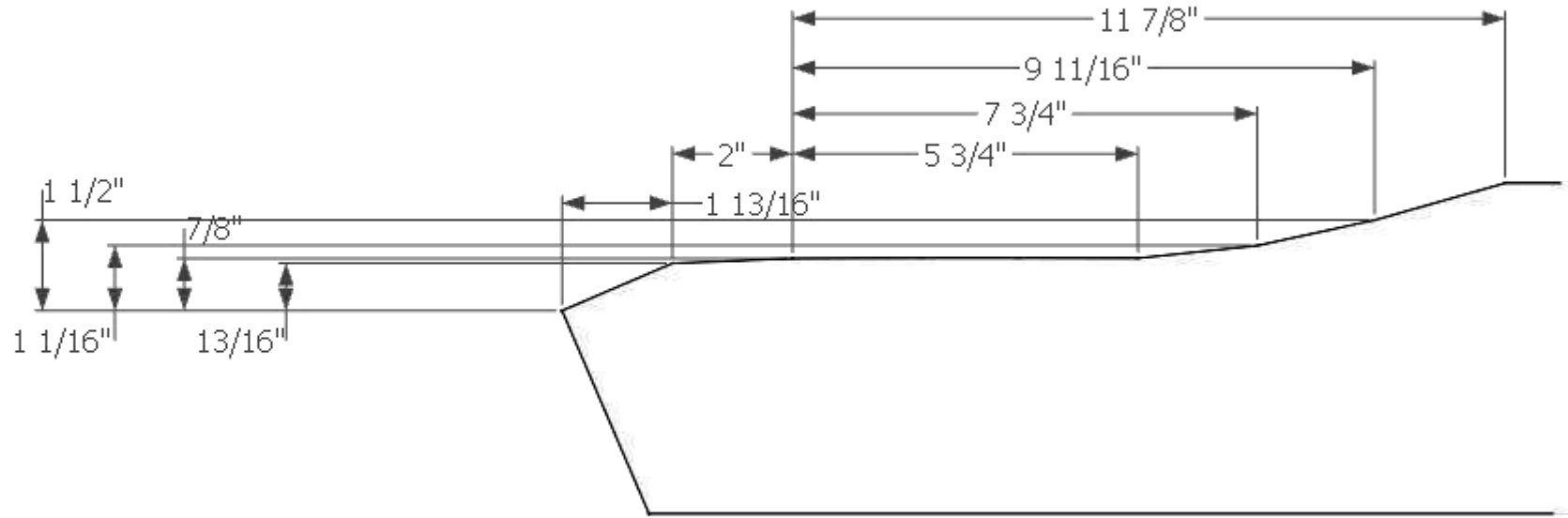
Number:

Drawn: Apr-03-2024

Edited: Apr-03-2024

Version:

MLG



Copyright 2024
Oxford Woodworking

Part Name:
Leg, Lower Spline Front

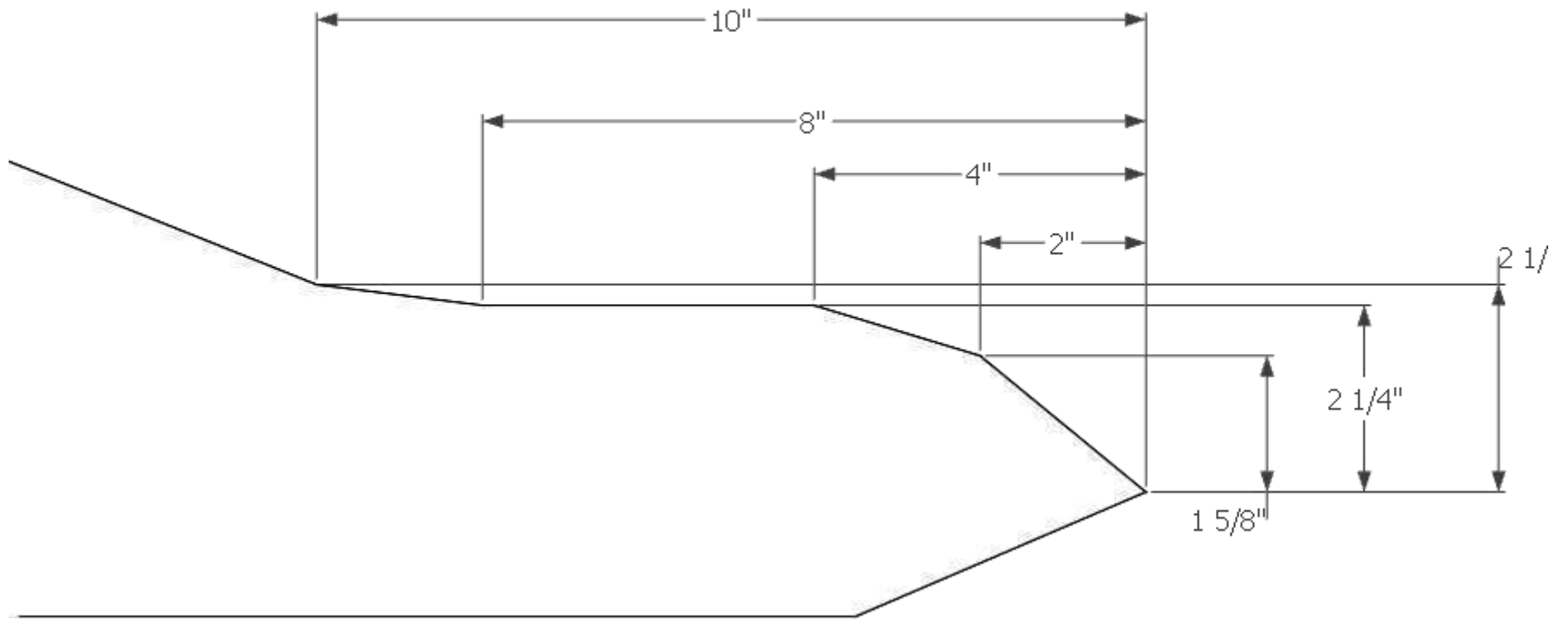
Number:

Drawn: Apr-03-2024

Edited: Apr-03-2024

Version:

MLG



Copyright 2024
Oxford Woodworking

Part Name:
Leg, Lower Spline Rear

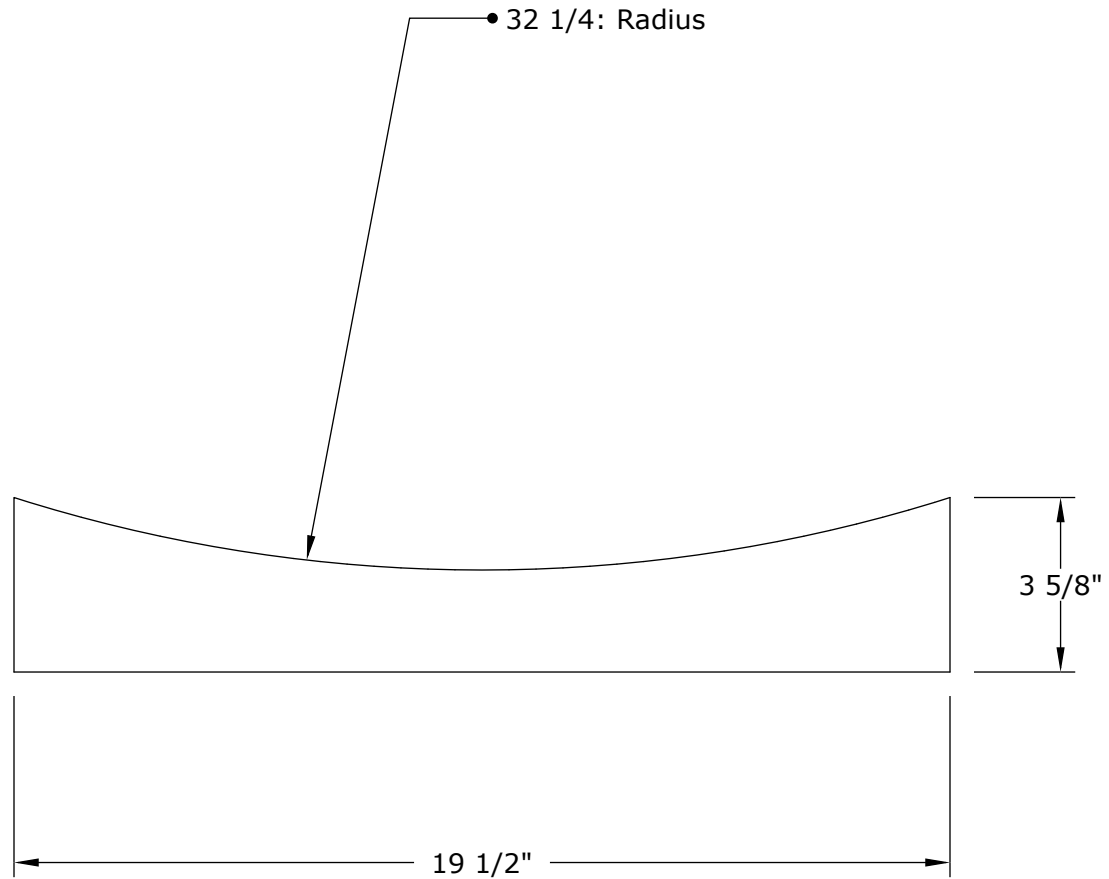
Number:

Drawn: Apr-03-2024

Edited: Apr-03-2024

Version:

MLG



**Copyright 2024
Oxford Woodworking**

Part Name:
Back Support

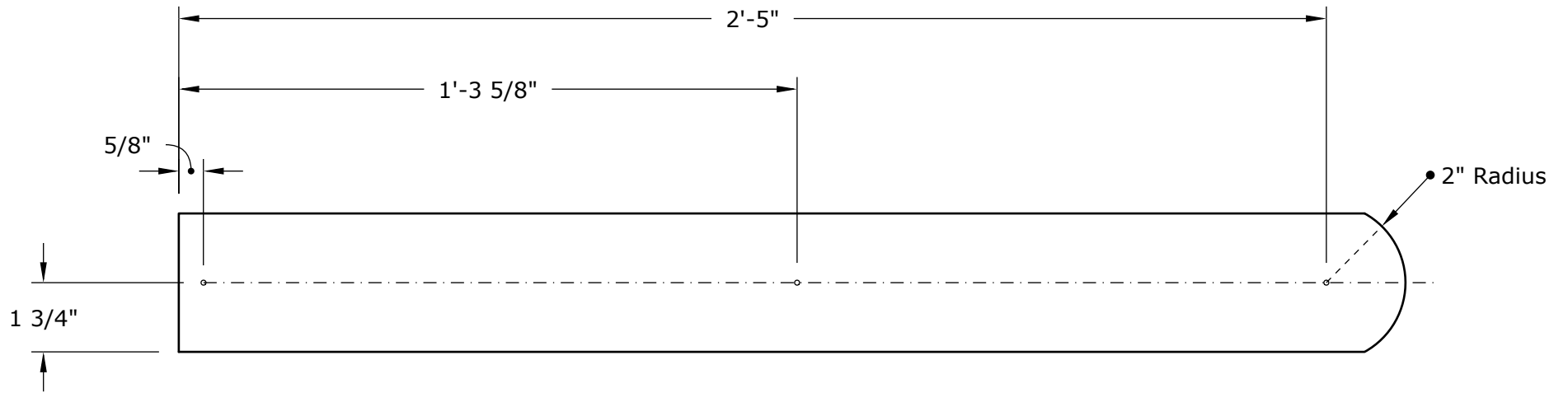
Number:

Drawn: Apr-03-2024

Edited: Apr-03-2024

Version:

MLG



**Copyright 2024
Oxford Woodworking**

Part Name:
Back Slat, Center

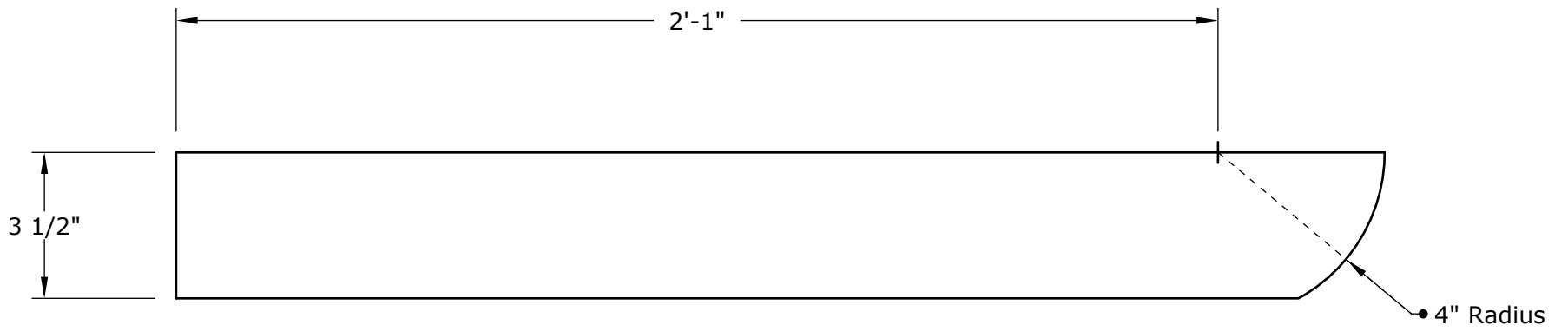
Number:

Drawn: Apr-03-2024

Edited: Apr-03-2024

Version:

MLG



**Copyright 2024
Oxford Woodworking**

Part Name:
Back Slat, Inner

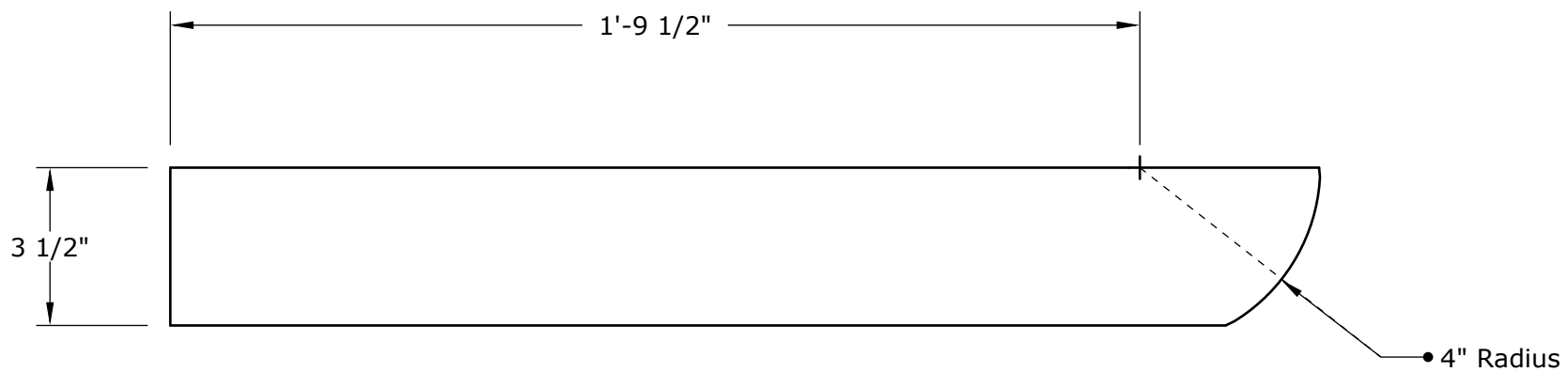
Number:

Drawn: Apr-03-2024

Edited: Apr-03-2024

Version:

MLG



**Copyright 2024
Oxford Woodworking**

Part Name:
Back Slat, Outer

Number:

Drawn: Apr-03-2024

Edited: Apr-03-2024

Version:

MLG



**Copyright 2024
Oxford Woodworking**

Part Name:

Oxford Adirondack Chair

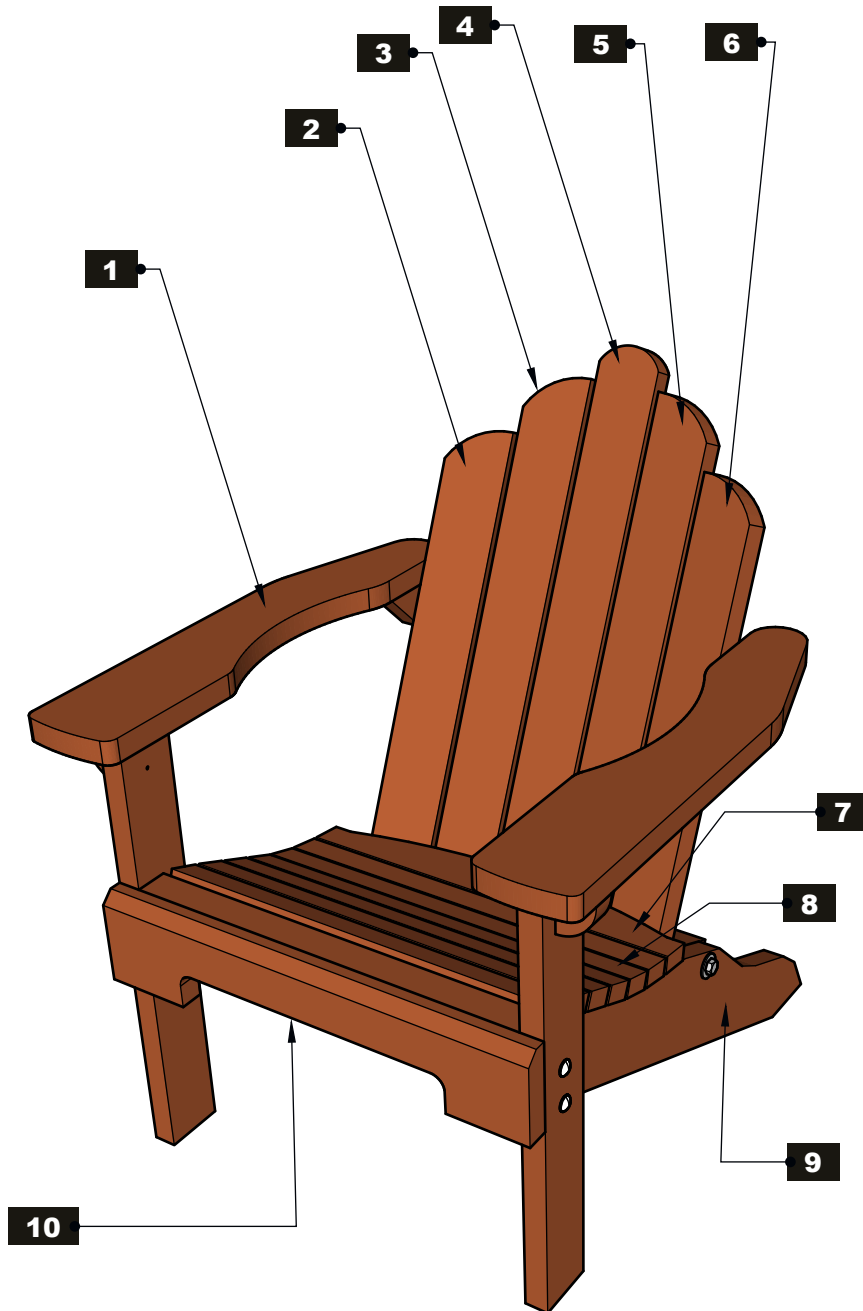
Number:

Drawn: Mar-19-2024

Edited: Mar-19-2024

Version:

MLG



| Key | Name | Qty |
|-----|------------------------|-----|
| 1 | Arm Rest | 2 |
| 2 | Back Slat, Outer Right | 1 |
| 3 | Back Slat, Inner Right | 1 |
| 4 | Back Slat, Center | 1 |
| 5 | Back Slat, Inner Left | 1 |
| 6 | Back Slat, Outer Left | 1 |
| 7 | Seat Slat, Rear | 1 |
| 8 | Seat Slat, Standard | 7 |
| 9 | Leg, Lower | 2 |
| 10 | Front Stretcher | 1 |

**Copyright 2024
Oxford Woodworking**

Part Name:
Oxford Adirondack Chair
Number:

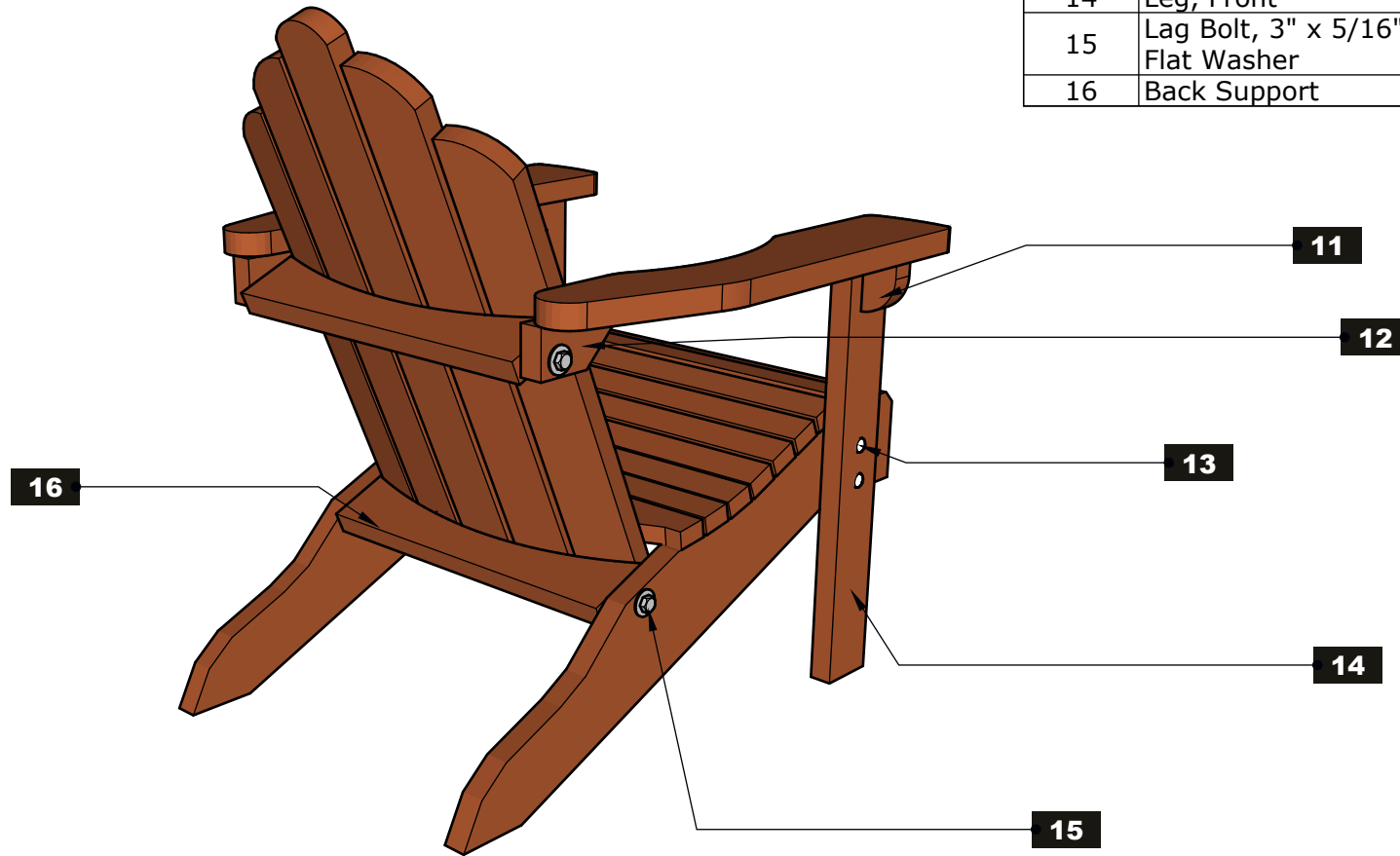
Drawn: Mar-19-2024

MLG

Edited: Mar-19-2024

Version:

| Key | Name | Qty |
|-----|--|-----|
| 11 | Support Bracket, Front | 2 |
| 12 | Support Bracket, Rear | 2 |
| 13 | Carriage Bolt, 3" x 5/16", w/ Flat Washer and Nut | 4 |
| 14 | Leg, Front | 2 |
| 15 | Lag Bolt, 3" x 5/16", with Flat Washer | 4 |
| 16 | Back Support | 2 |



**Copyright 2024
Oxford Woodworking**

Part Name:

Oxford Adirondack Chair

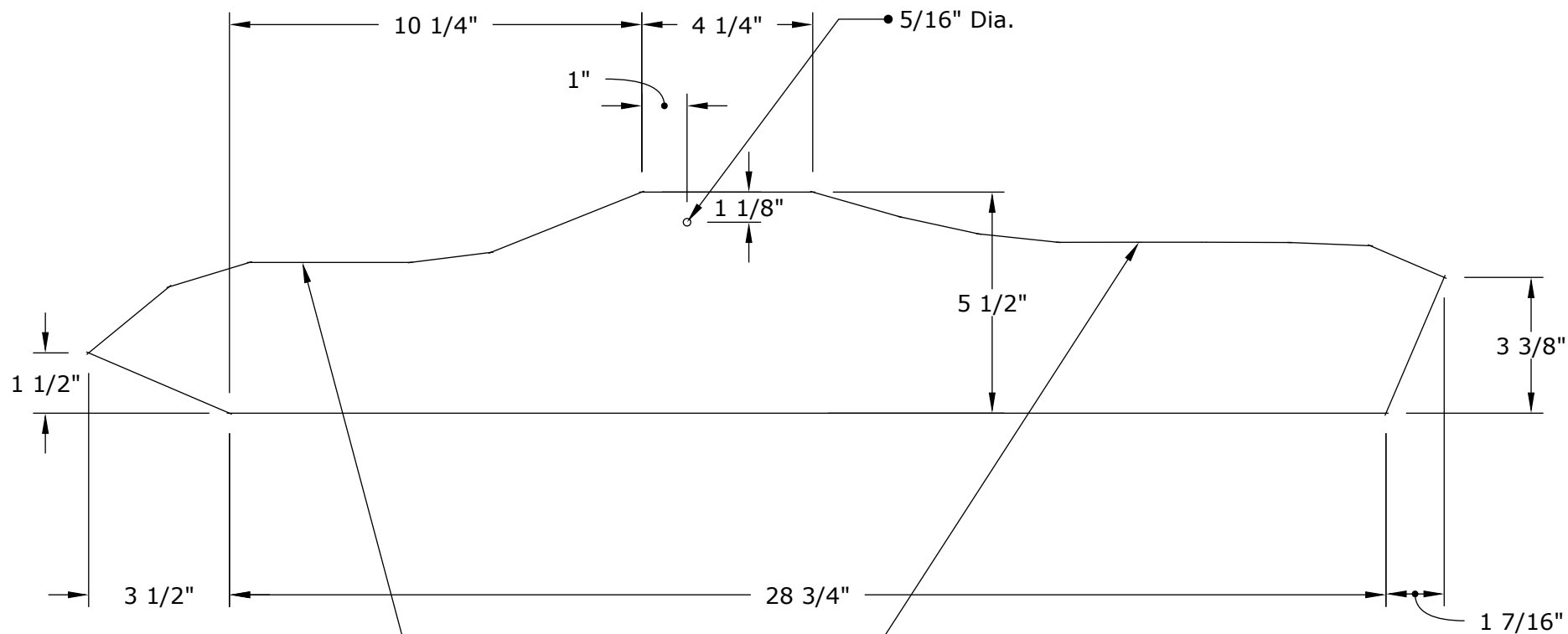
Number:

Drawn: Mar-19-2024

Edited: Mar-19-2024

Version:

MLG



See next 2 Pages for Spline Dimensions

Copyright 2024
Oxford Woodworking

Part Name:

Leg, Lower

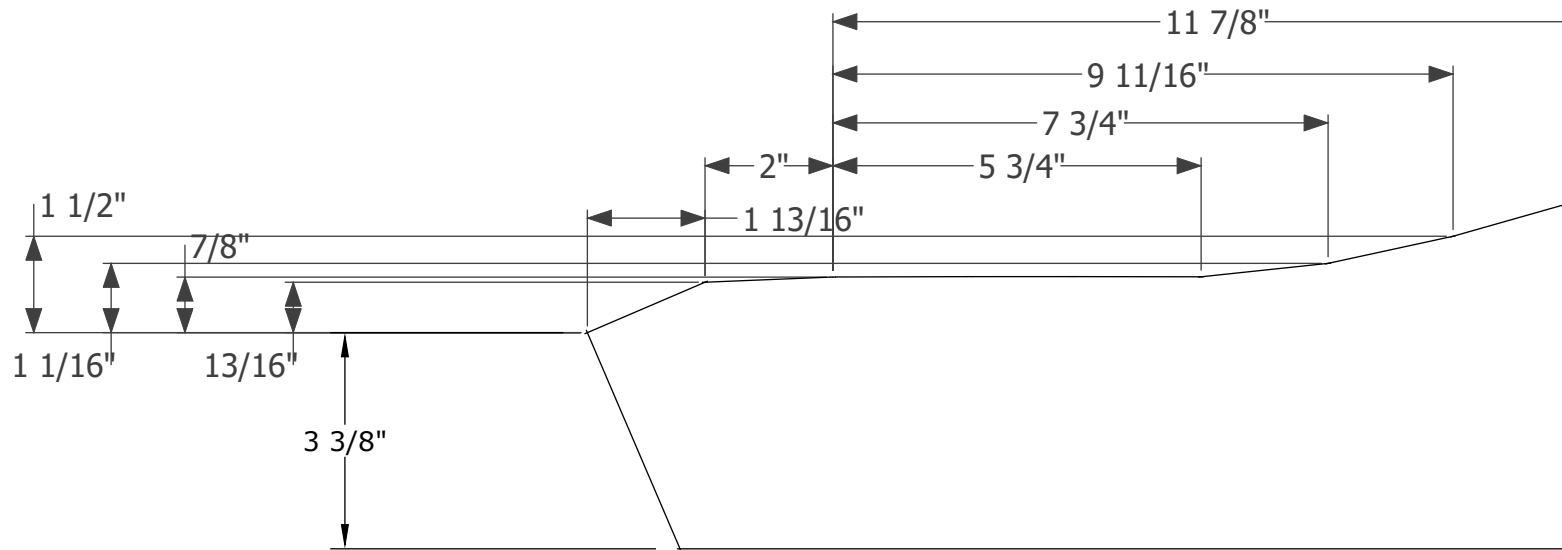
Number:

Drawn: Mar-19-2024

Edited: Mar-19-2024

Version:

MLG



Spline Details, Front

**Copyright 2024
Oxford Woodworking**

Part Name:

Leg, Lower

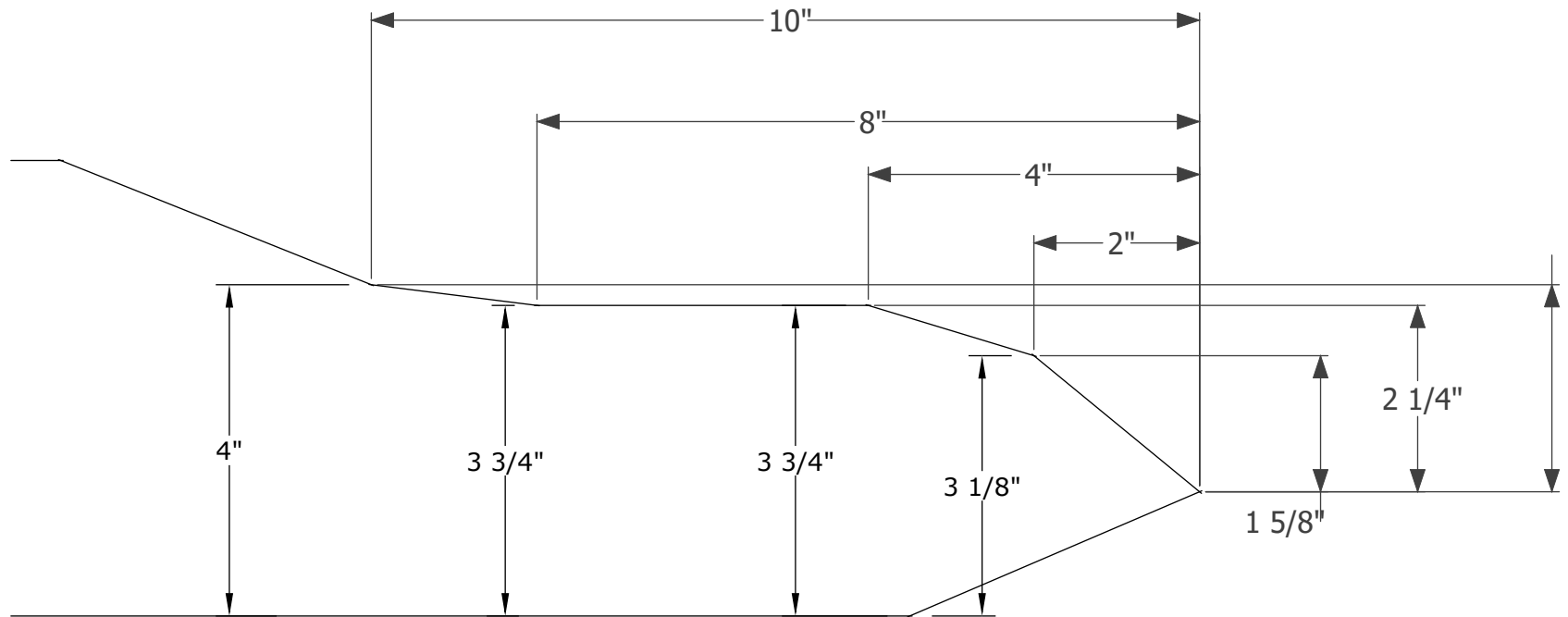
Number:

Drawn: Mar-19-2024

Edited: Mar-19-2024

Version:

MLG



Spline Details, Rear

**Copyright 2024
Oxford Woodworking**

Part Name:

Leg, Lower

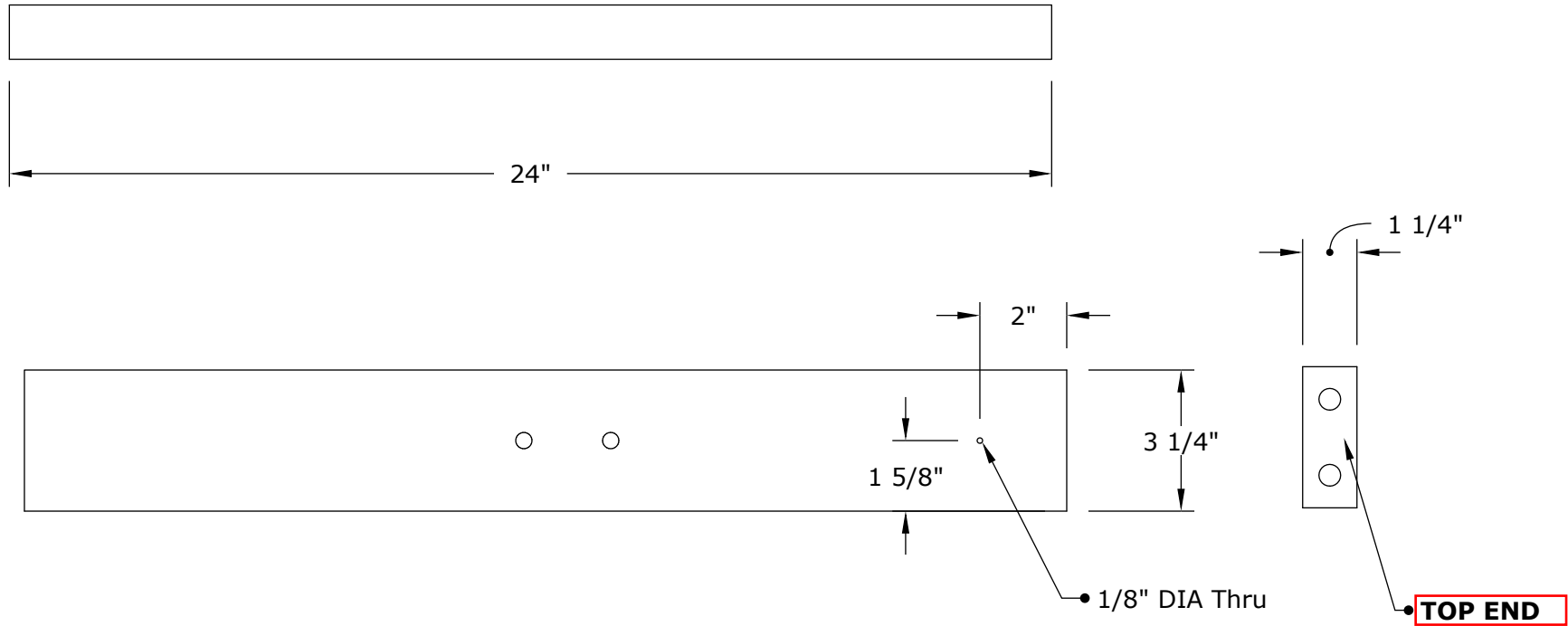
Number:

Drawn: Mar-19-2024

Edited: Mar-19-2024

Version:

MLG



Copyright 2024
Oxford Woodworking

Part Name:

Leg, Front

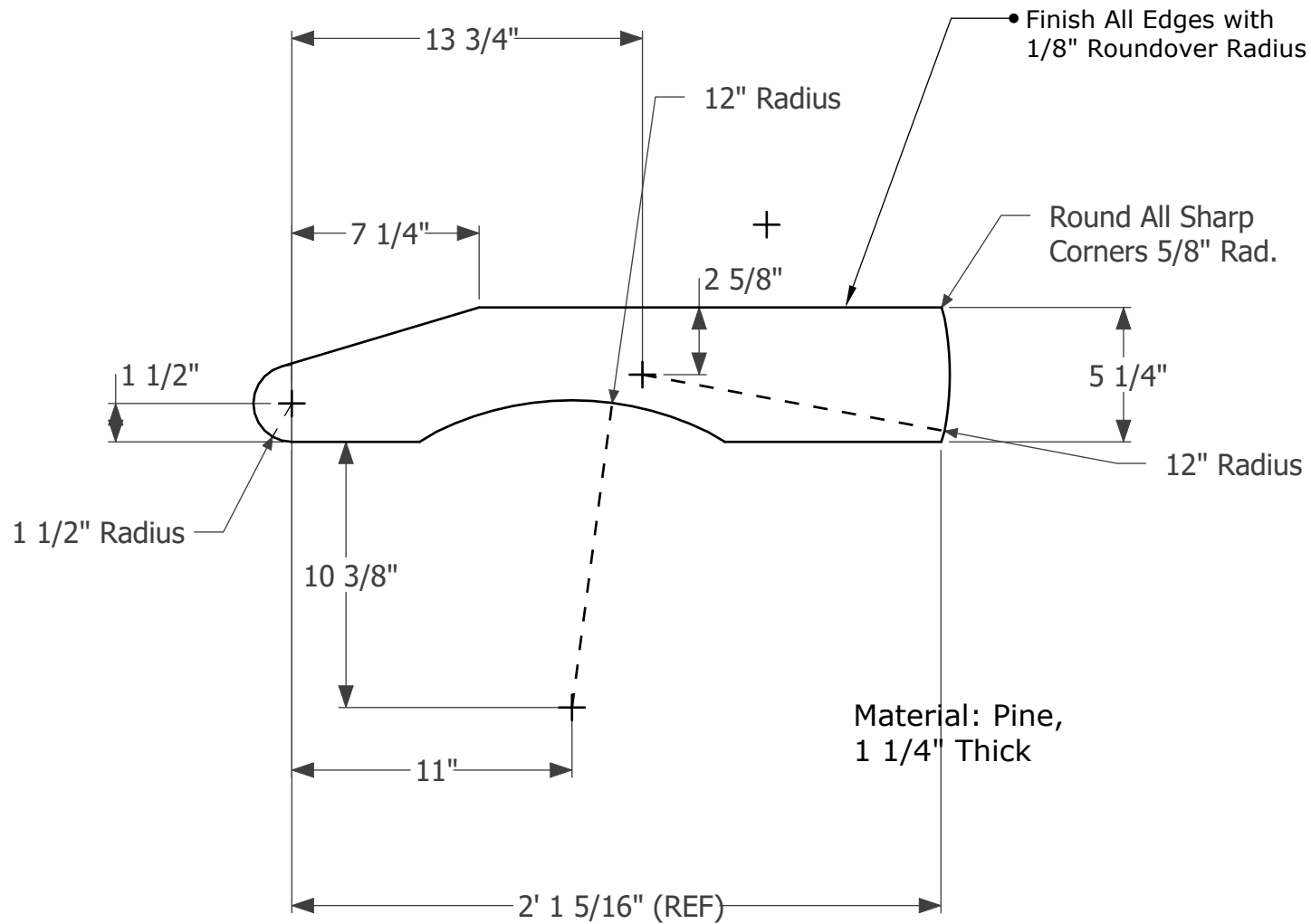
Number:

Drawn: Mar-19-2024

Edited: Mar-19-2024

Version:

MLG



Copyright 2024
 Oxford Woodworking

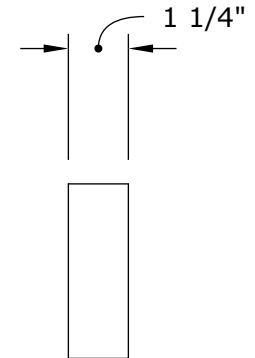
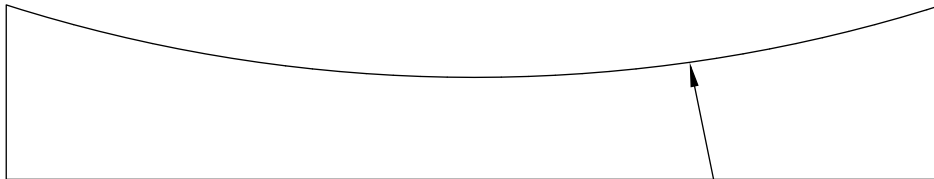
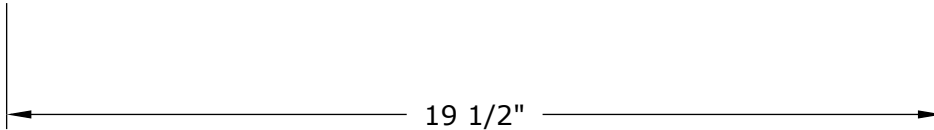
Part Name:
 Arm Rest
 Number:

Drawn: Mar-19-2024

MLG

Edited: Mar-19-2024

Version:



• 32 1/4" Radius

Copyright 2024
Oxford Woodworking

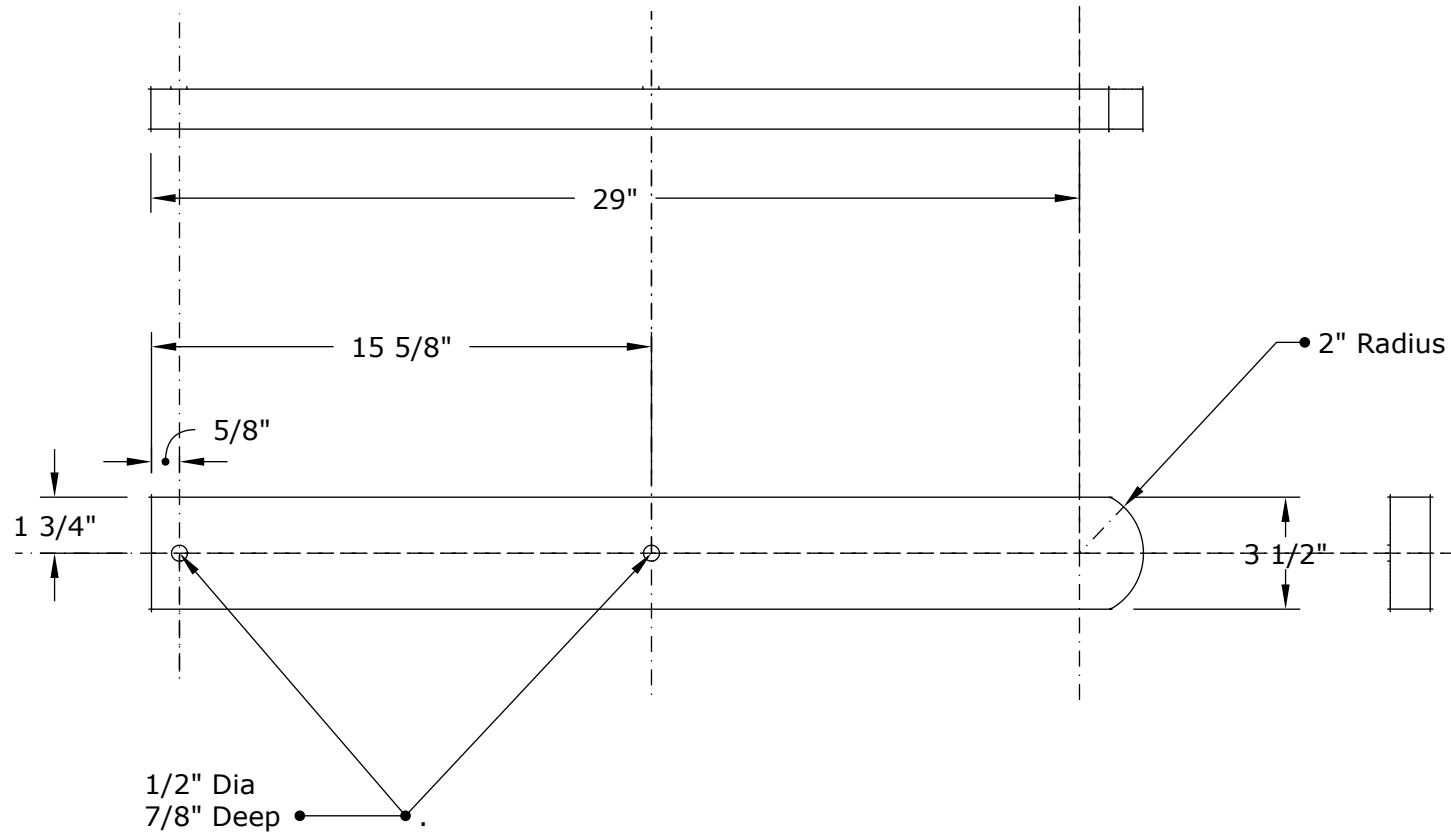
Part Name:
Back Support
Number:

Drawn: Mar-19-2024

MLG

Edited: Mar-19-2024

Version:



Copyright 2024
Oxford Woodworking

Part Name:

Back Slat, Center

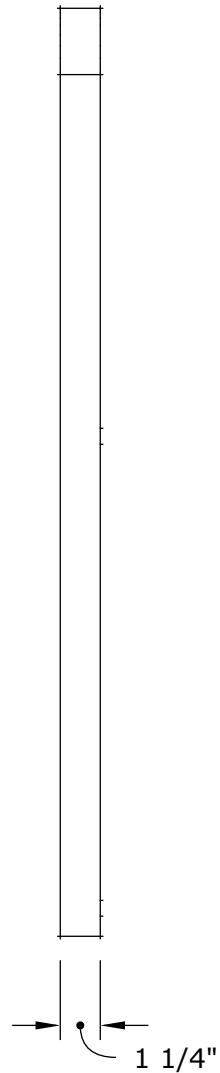
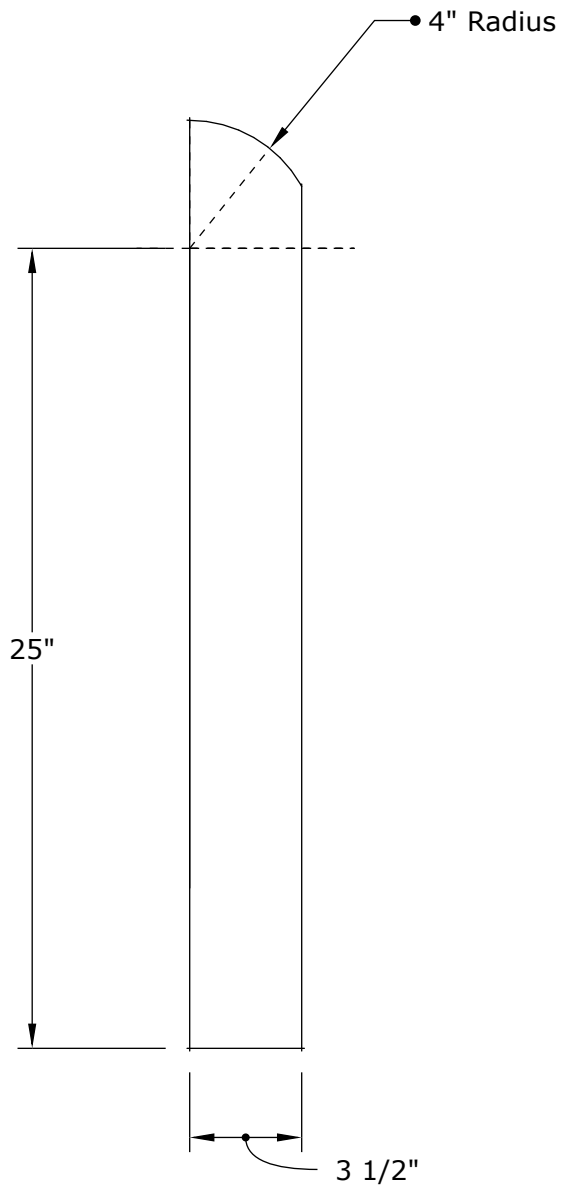
Number:

Drawn: Mar-19-2024

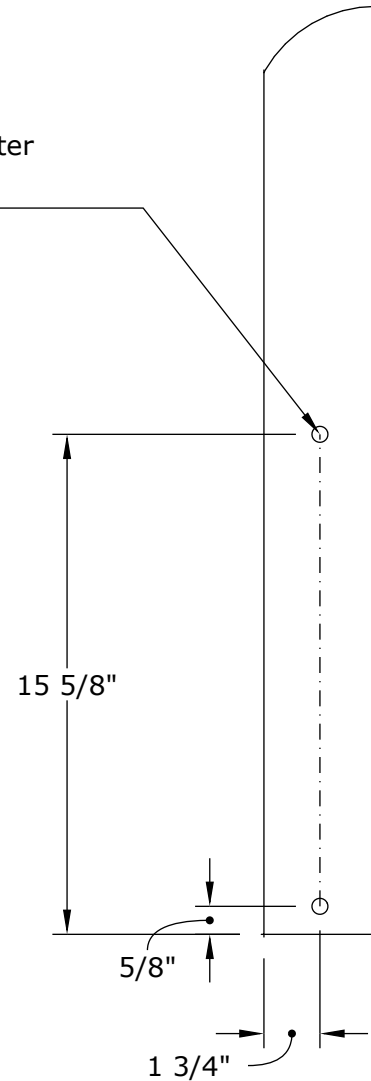
Edited: Mar-19-2024

Version:

MLG



1/2" Diameter
7/8" Deep
2 Places



Copyright 2024
Oxford Woodworking

Part Name:
Back Slat, Inner Left
Number:

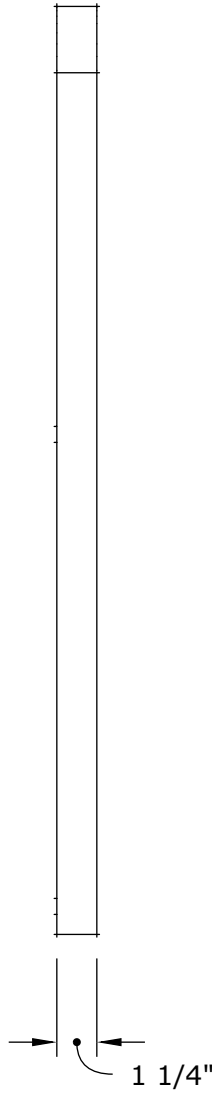
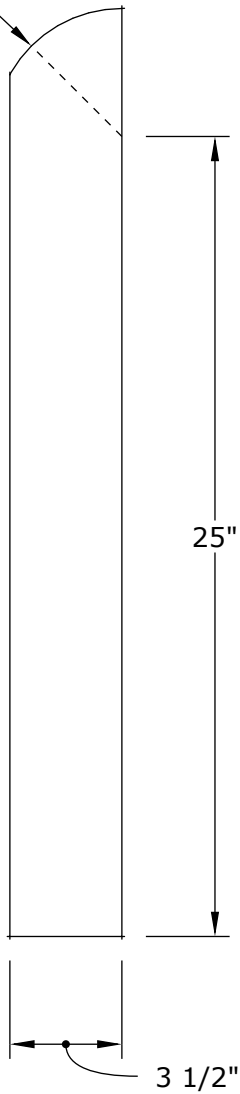
Drawn: Mar-19-2024

Edited: Mar-19-2024

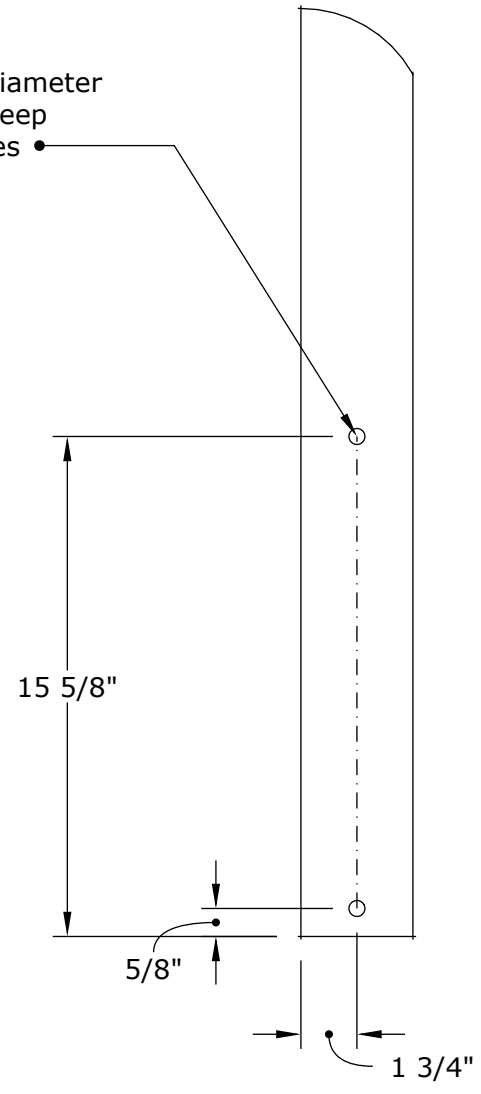
Version:

MLG

4" Radius



1/2" Diameter
7/8" Deep
2 Places



Copyright 2024
Oxford Woodworking

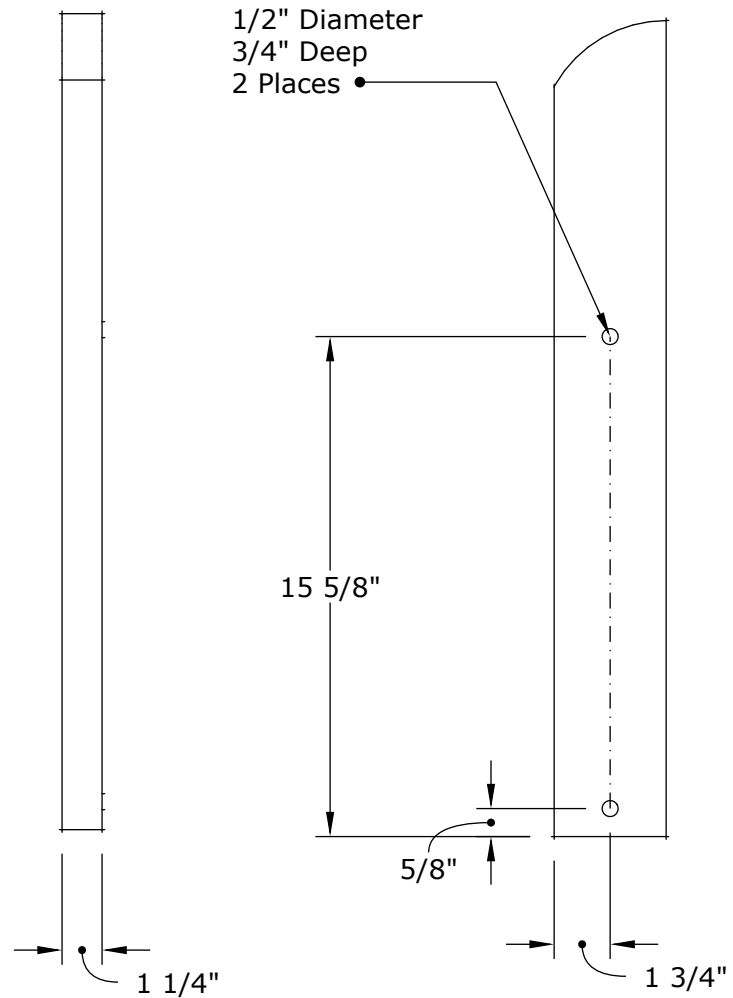
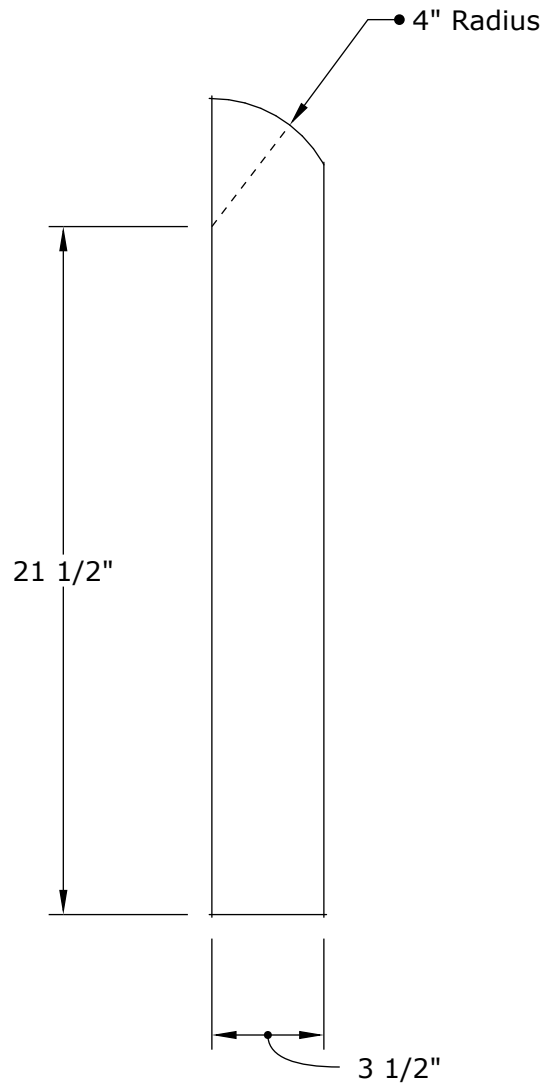
Part Name:
Back Slat, Inner Right
Number:

Drawn: Mar-19-2024

Edited: Mar-19-2024

Version:

MLG



Copyright 2024
Oxford Woodworking

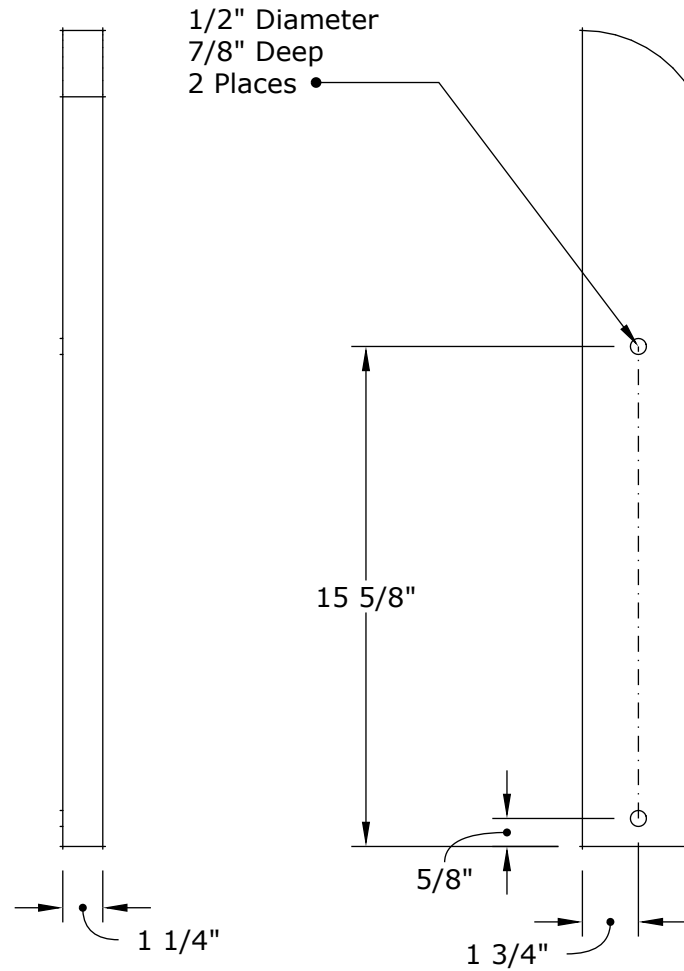
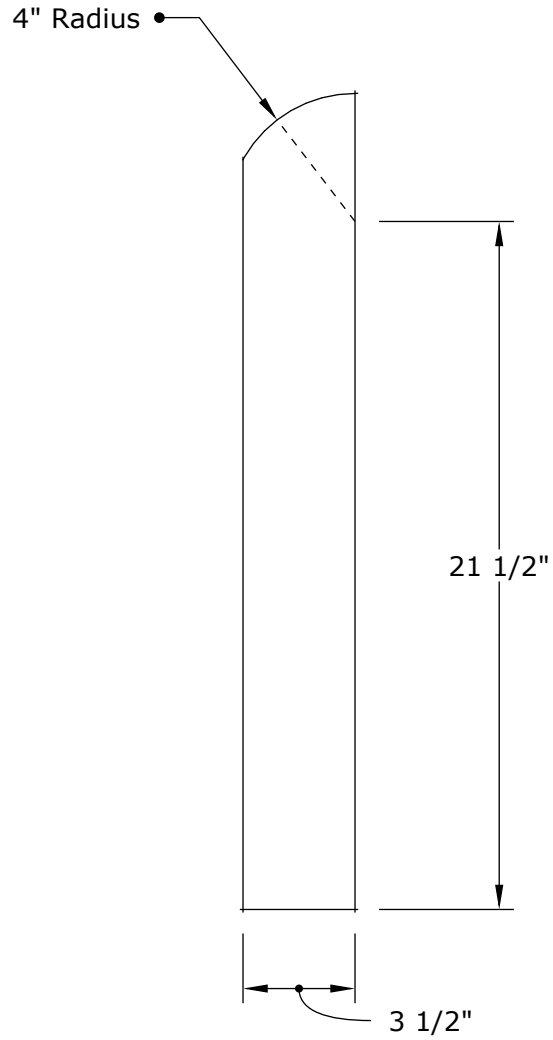
Part Name:
Back Slat, Outer Left
Number:

Drawn: Mar-19-2024

Edited: Mar-19-2024

Version:

MLG



Copyright 2024
Oxford Woodworking

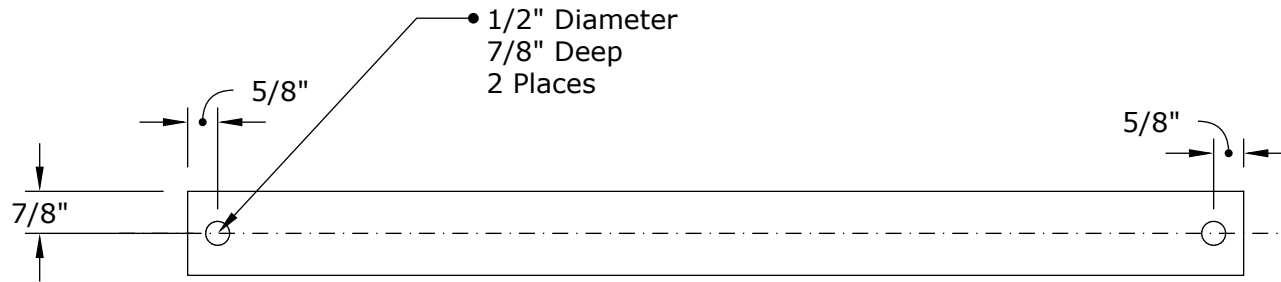
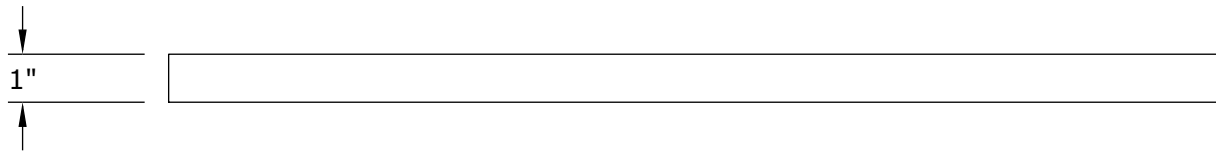
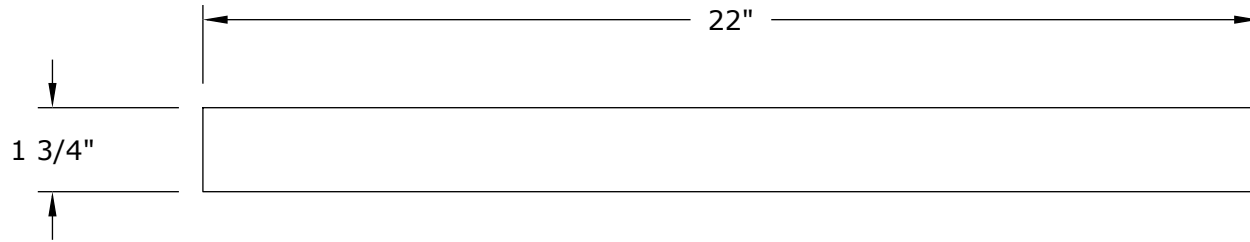
Part Name:
Back Slat, Outer Right
Number:

Drawn: Mar-19-2024

Edited: Mar-19-2024

Version:

MLG



Copyright 2024
Oxford Woodworking

Part Name:

Seat Slat, Standard

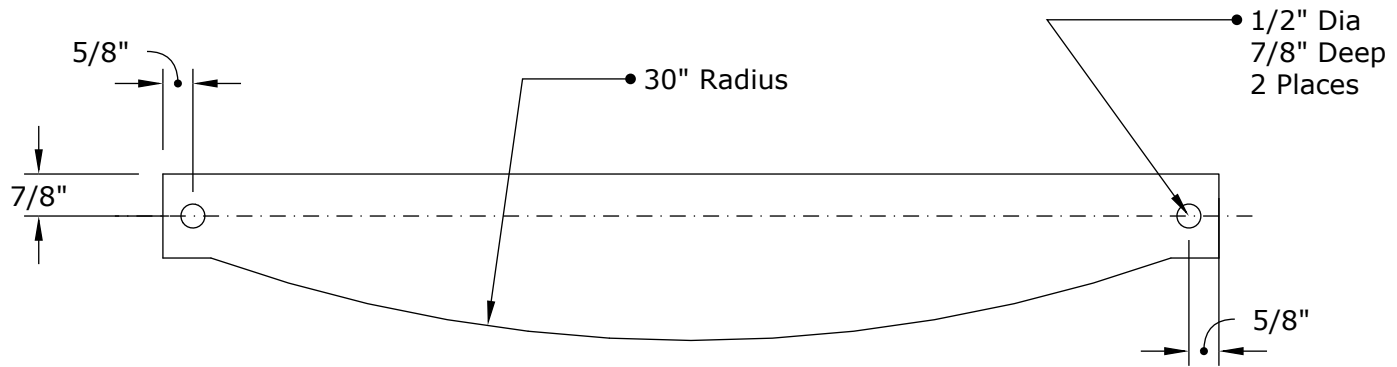
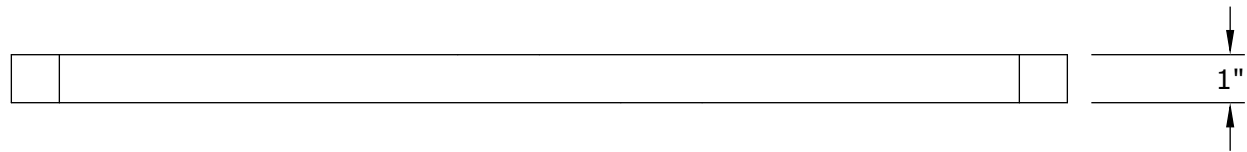
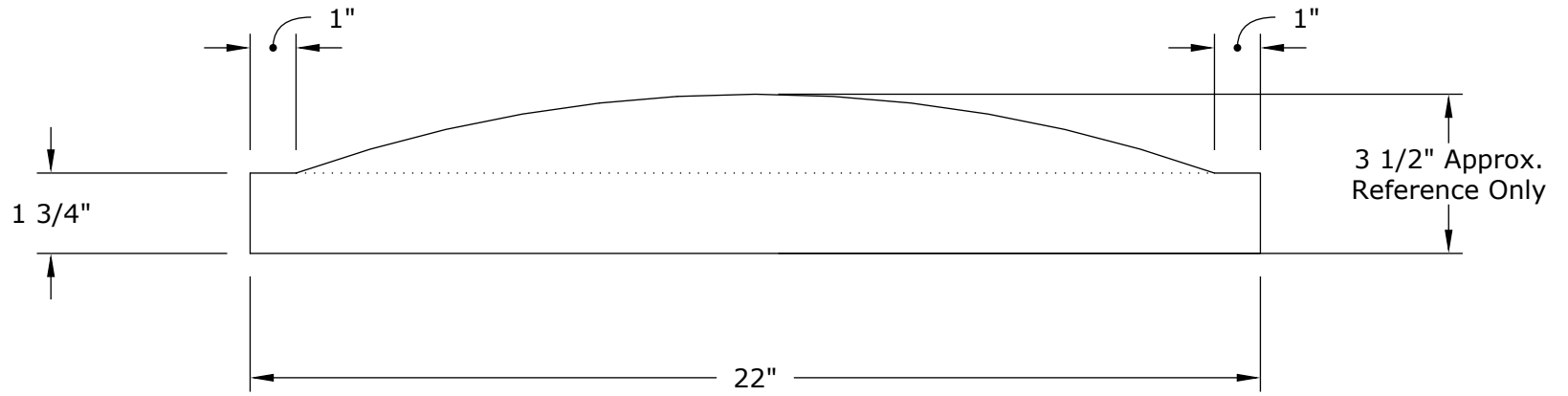
Number:

Drawn: Mar-19-2024

Edited: Mar-19-2024

Version:

MLG



Copyright 2024
Oxford Woodworking

Part Name:
Seat Slat, Rear
Number:

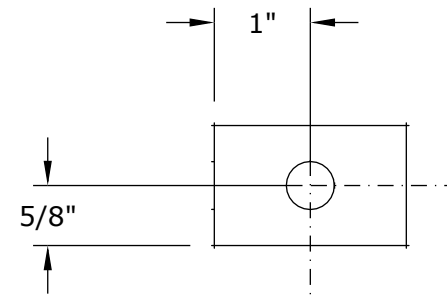
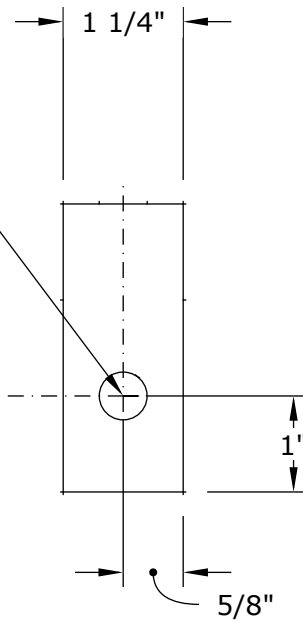
Drawn: Mar-19-2024

Edited: Mar-19-2024

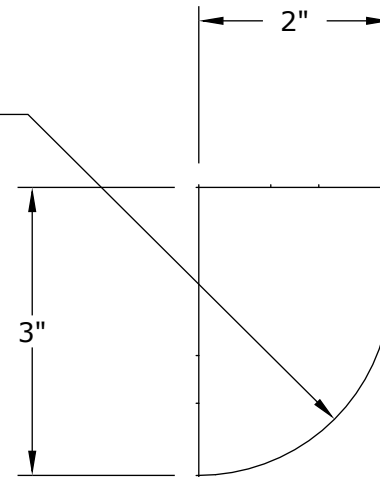
Version:

MLG

1/2" Diameter
 7/8" Deep
 2 Places



2" Radius



Copyright 2024
 Oxford Woodworking

Part Name:

Support Bracket, Front

Number:

Drawn:

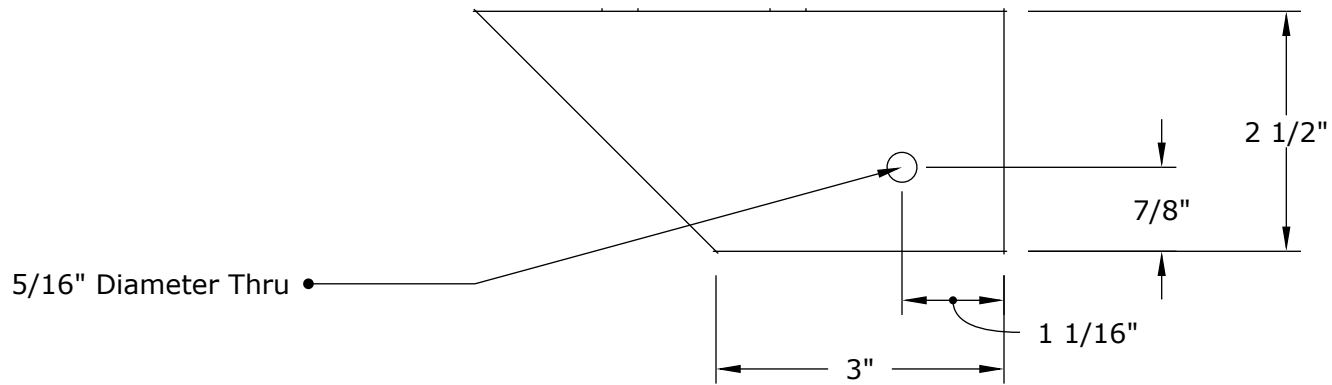
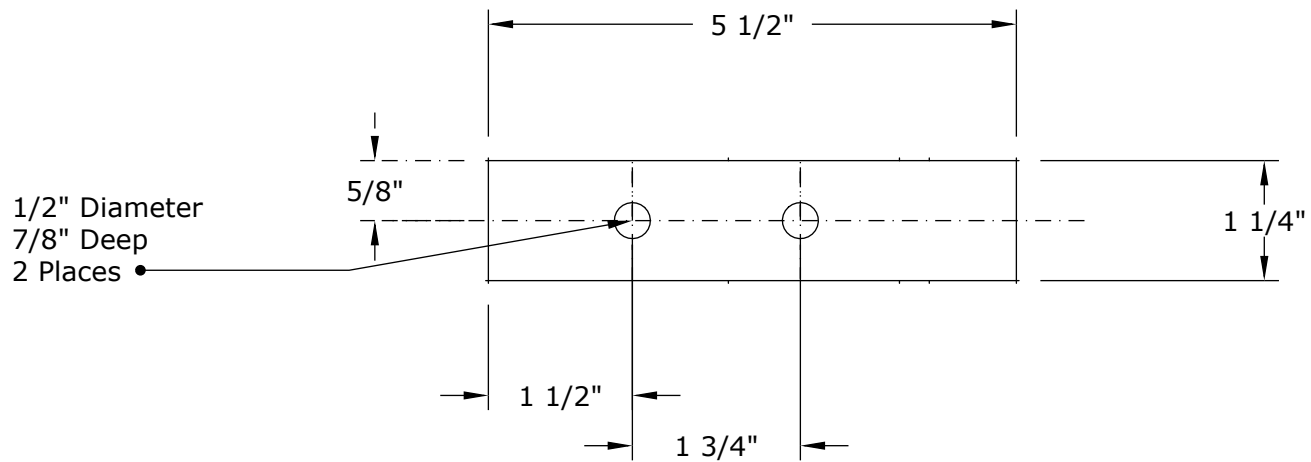
Mar-19-2024

Edited:

Mar-19-2024

Version:

MLG



Copyright 2024
Oxford Woodworking

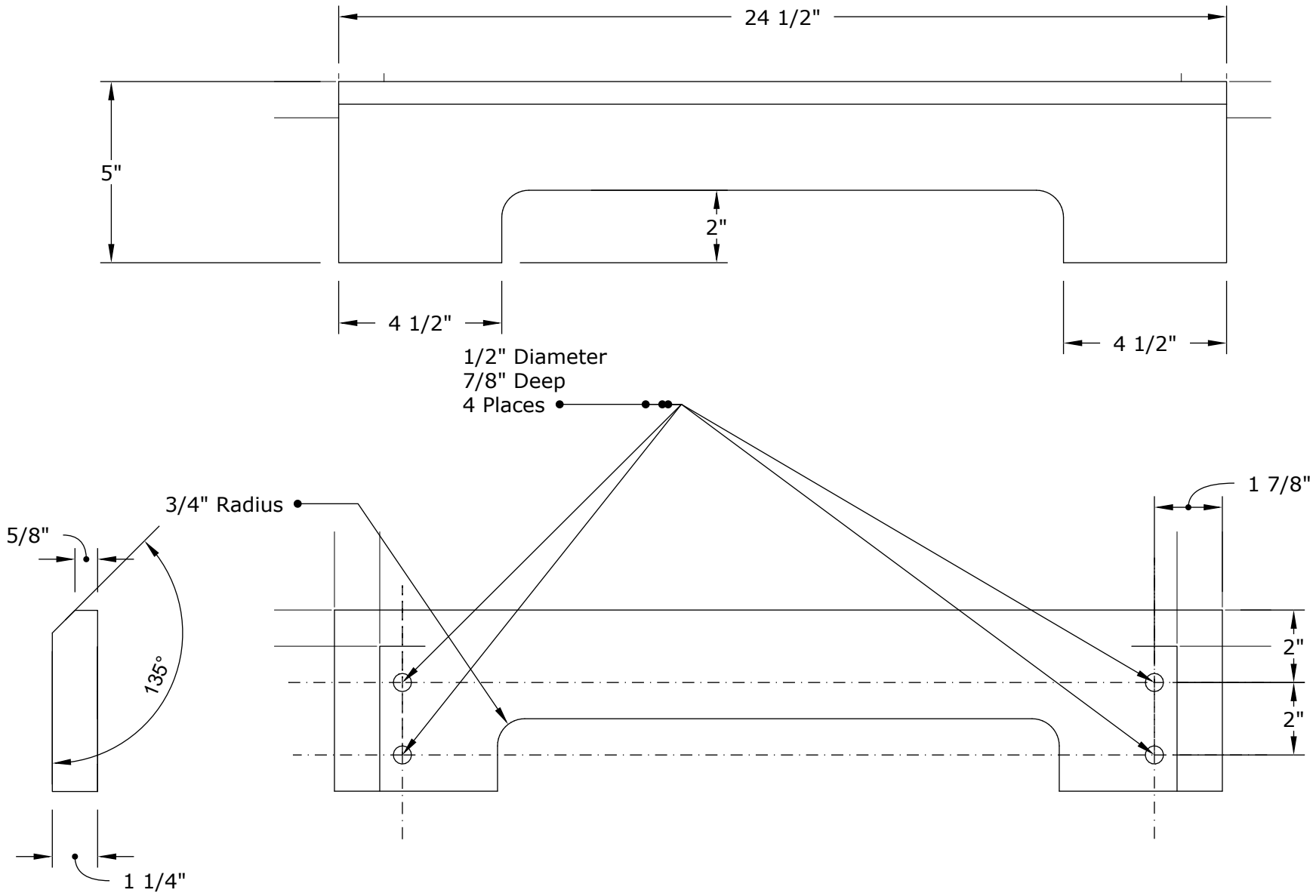
Part Name:
Support Bracket, Rear
Number:

Drawn: Mar-19-2024

Edited: Mar-19-2024

Version:

MLG



Copyright 2024
 Oxford Woodworking

Part Name:
Front Stretcher
 Number:

| | | |
|----------|-------------|-----|
| Drawn: | Mar-19-2024 | MLG |
| Edited: | Mar-19-2024 | |
| Version: | | |

